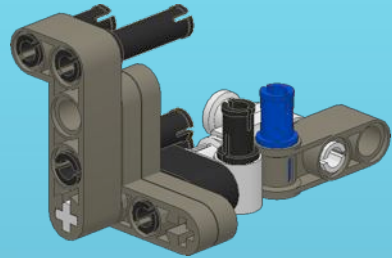
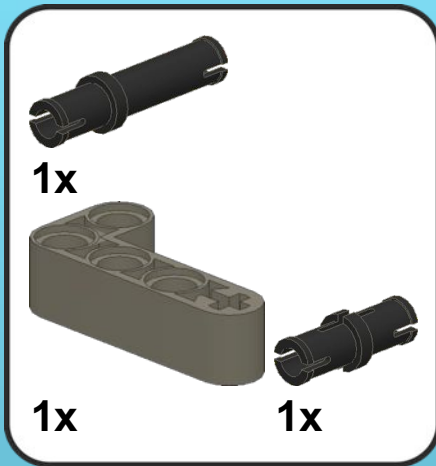
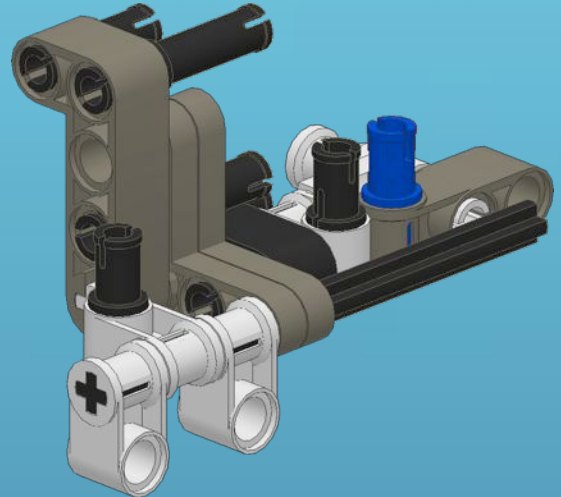


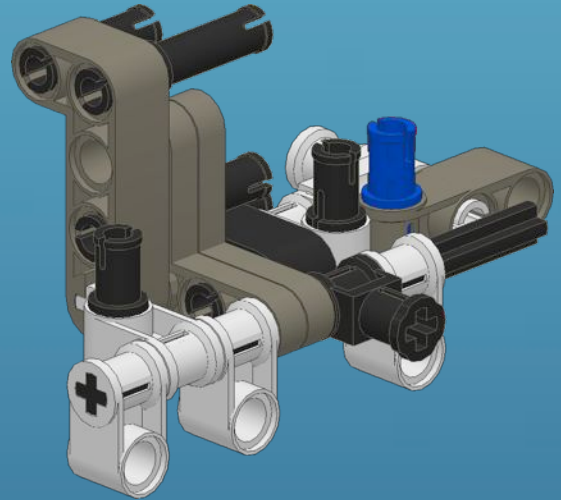
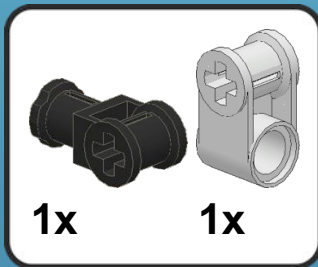
6



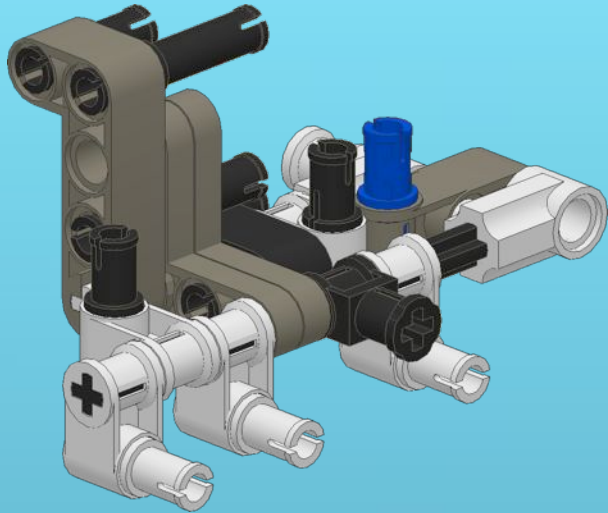
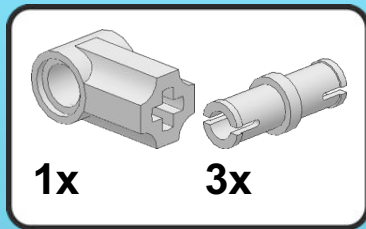
7



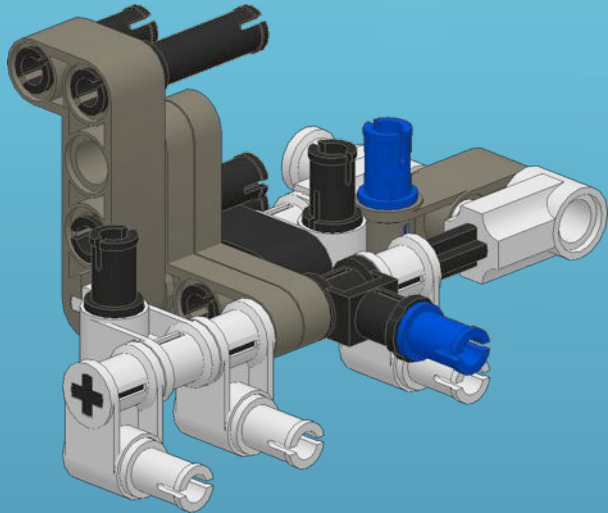
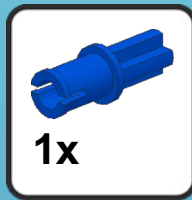
8



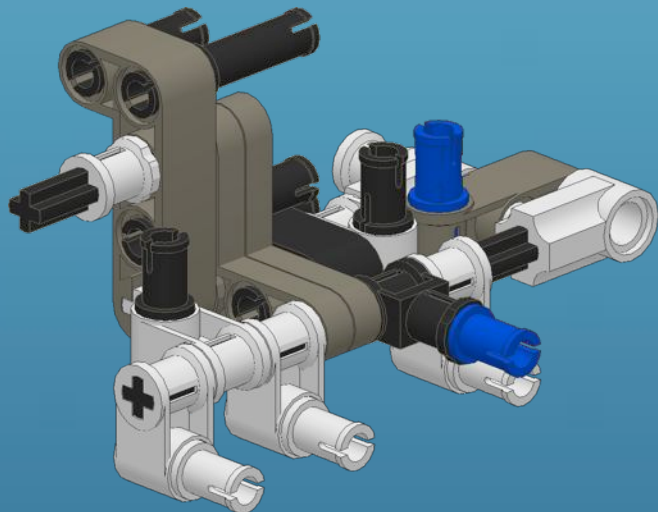
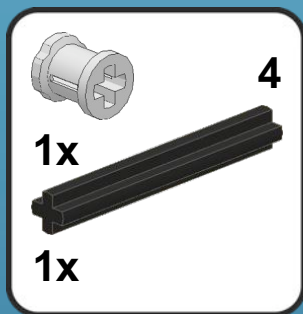
9

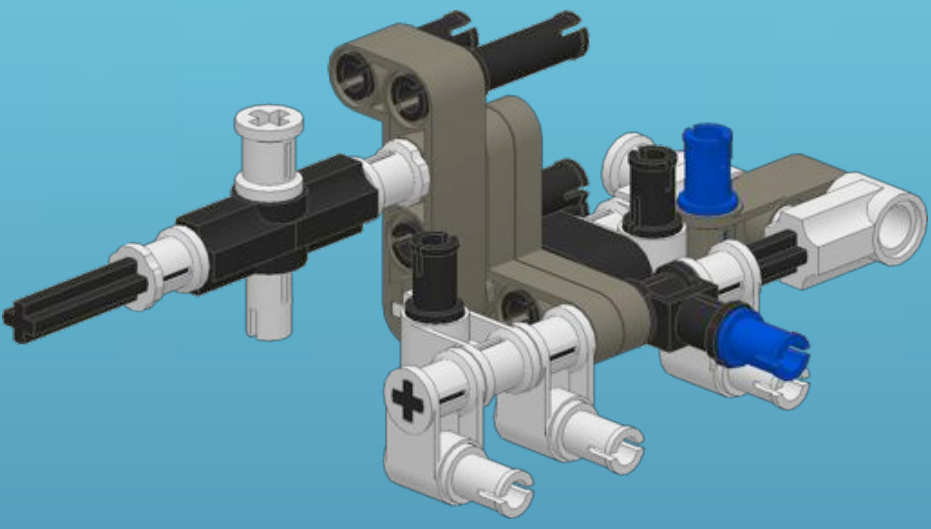
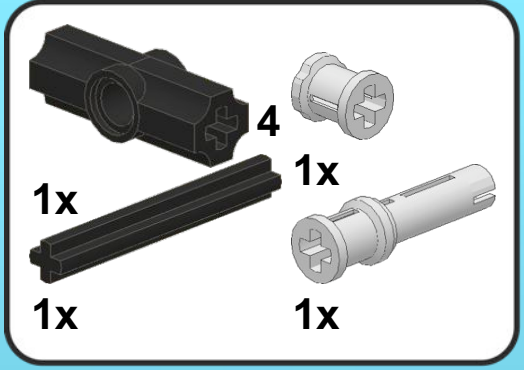


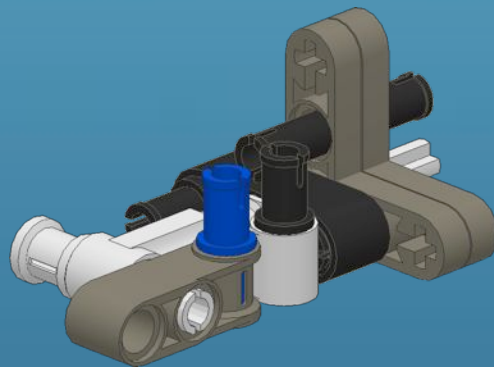
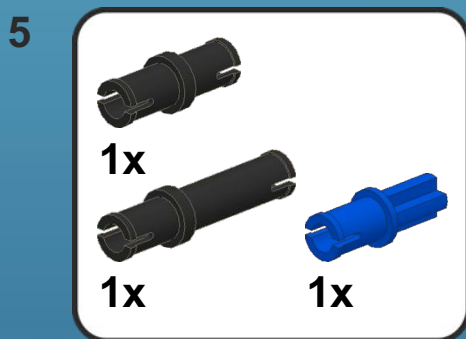
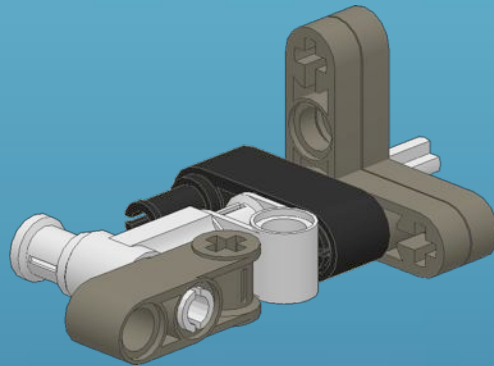
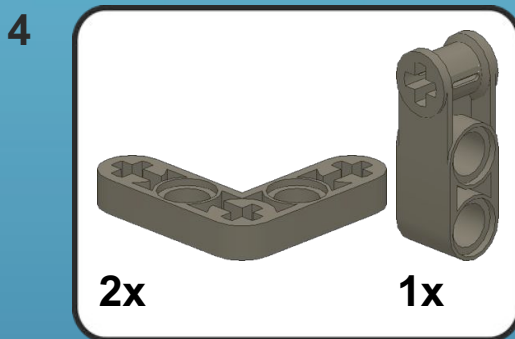
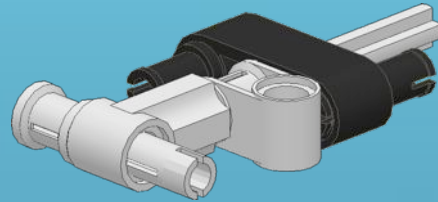
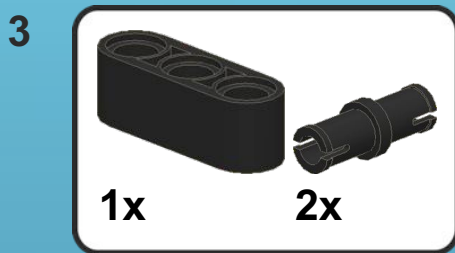
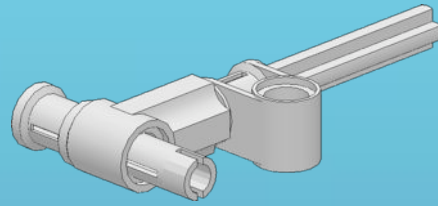
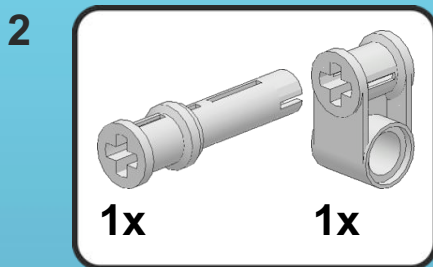
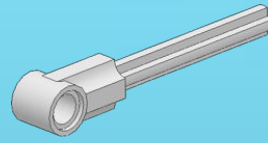
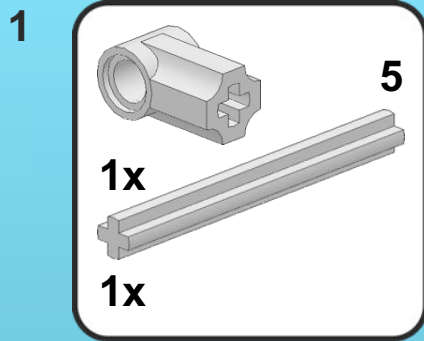
10



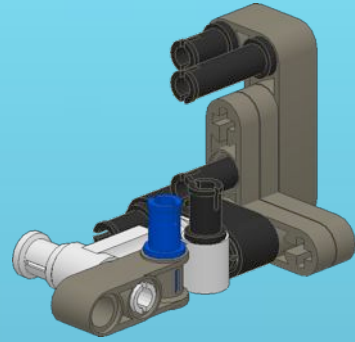
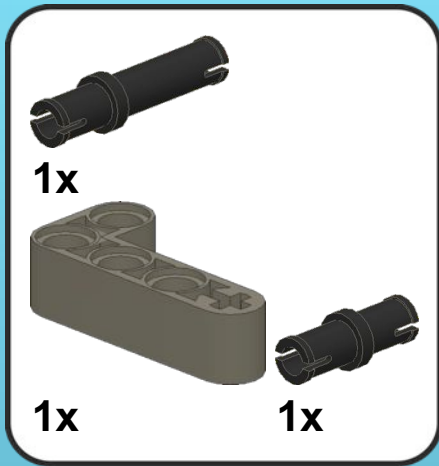
11



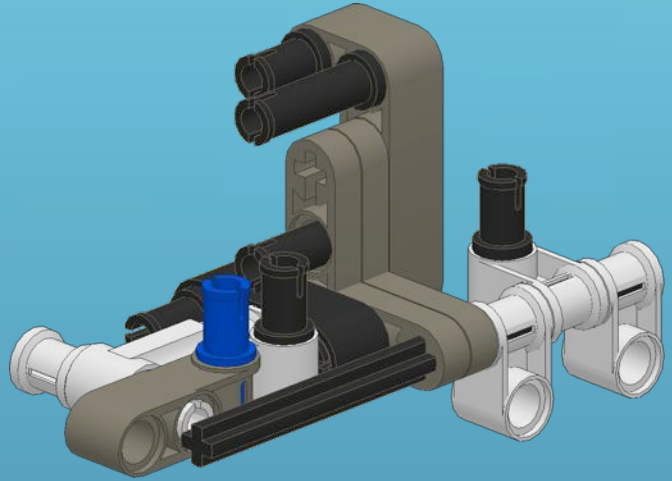




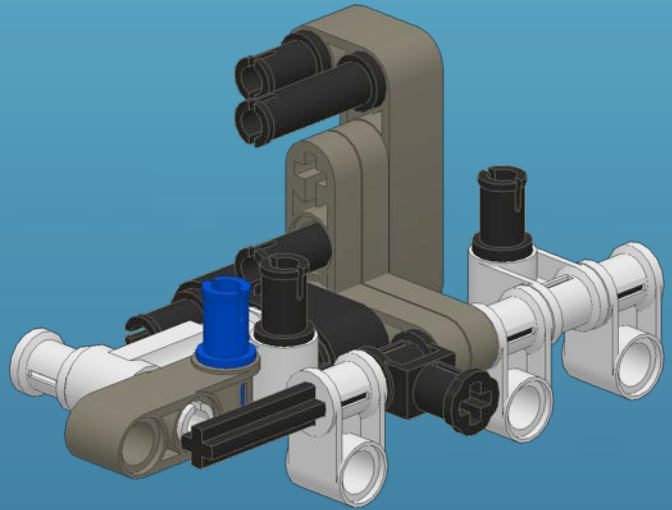
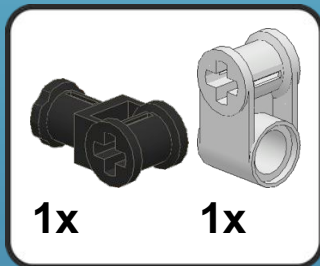
6

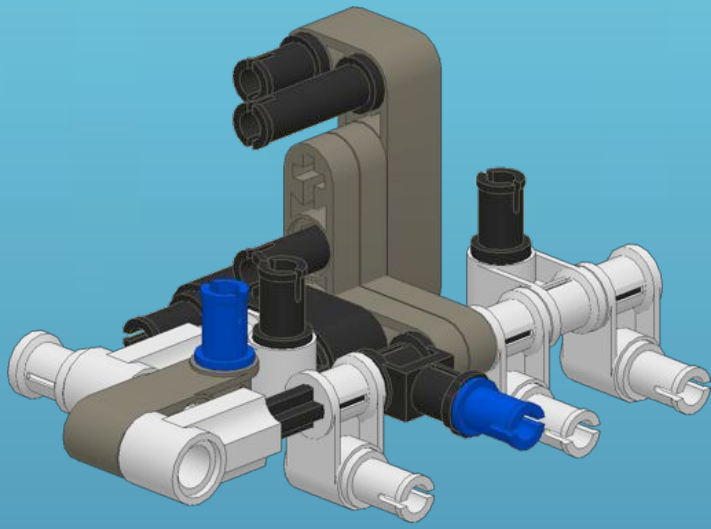
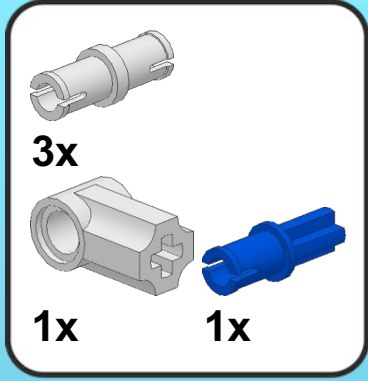


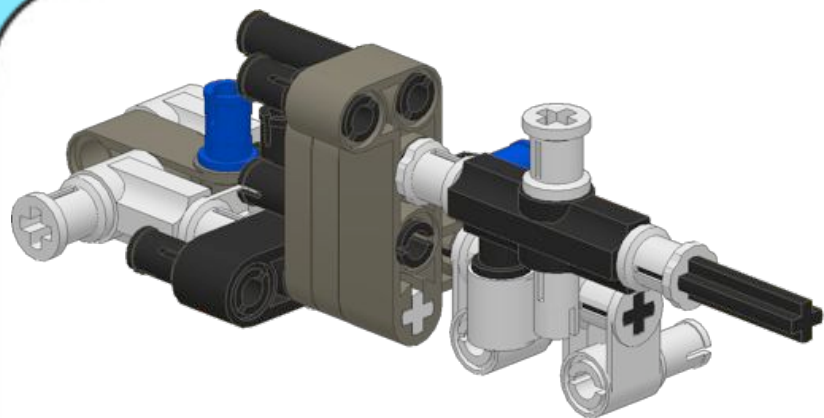
7



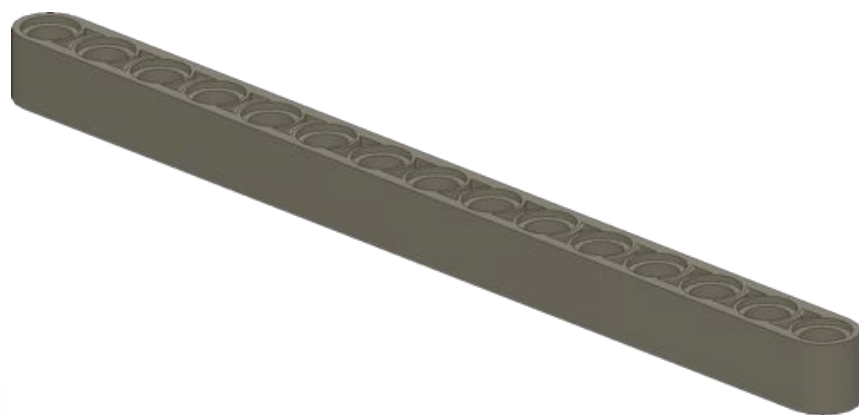
8



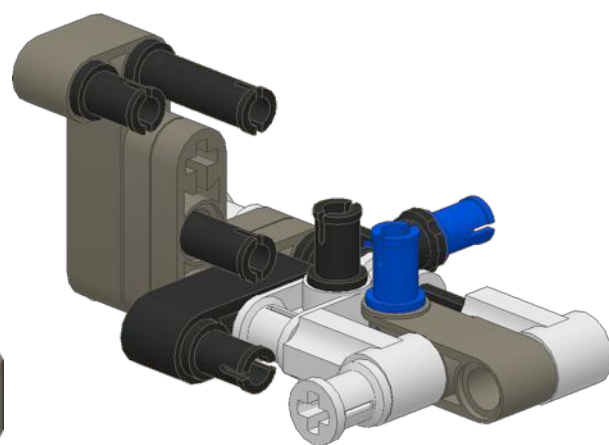




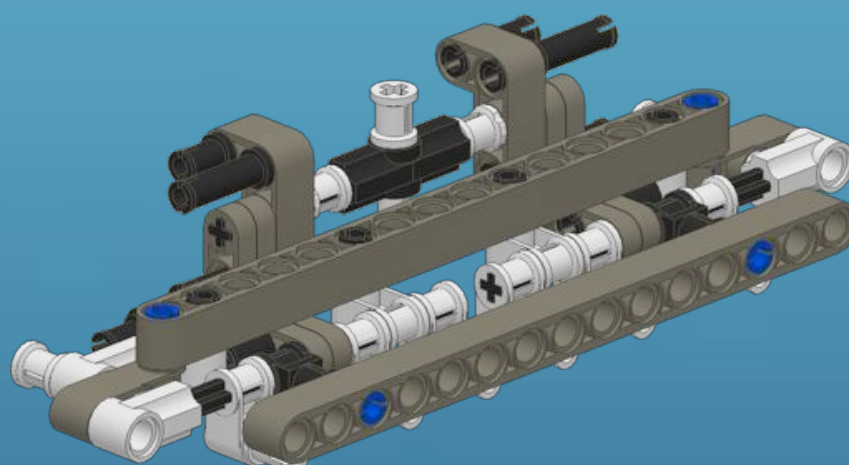
1x



2x

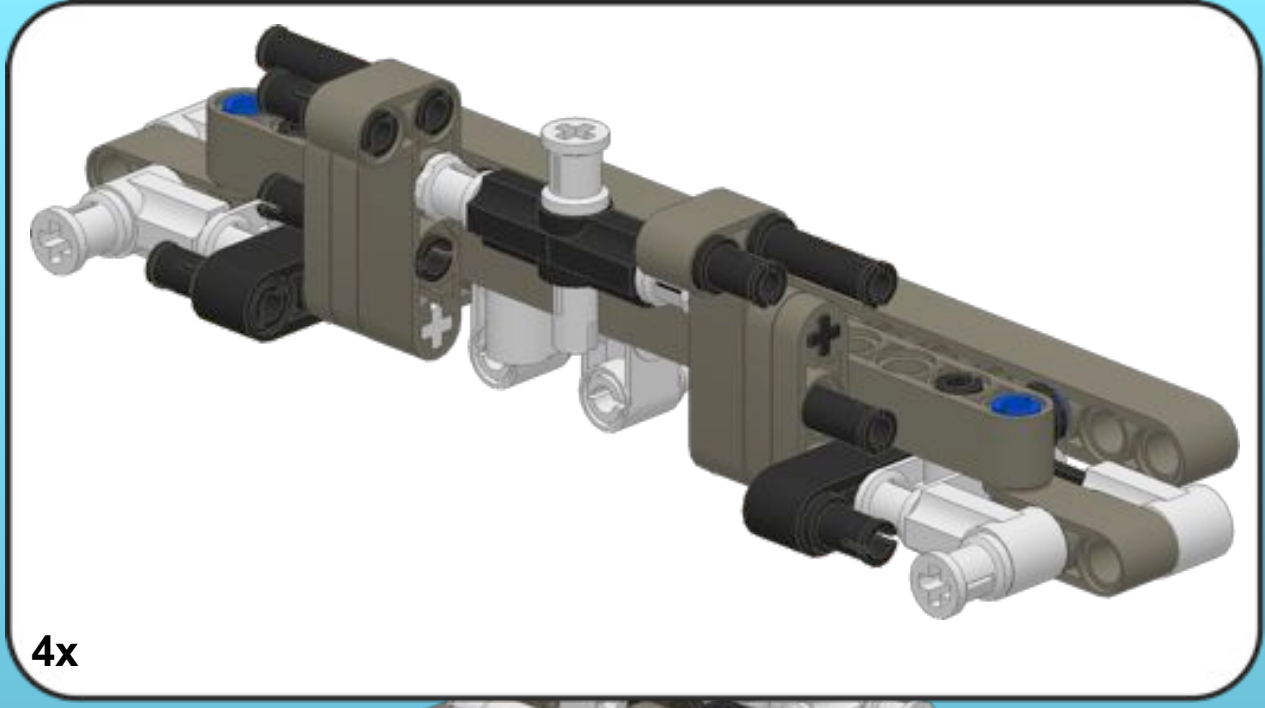


1x

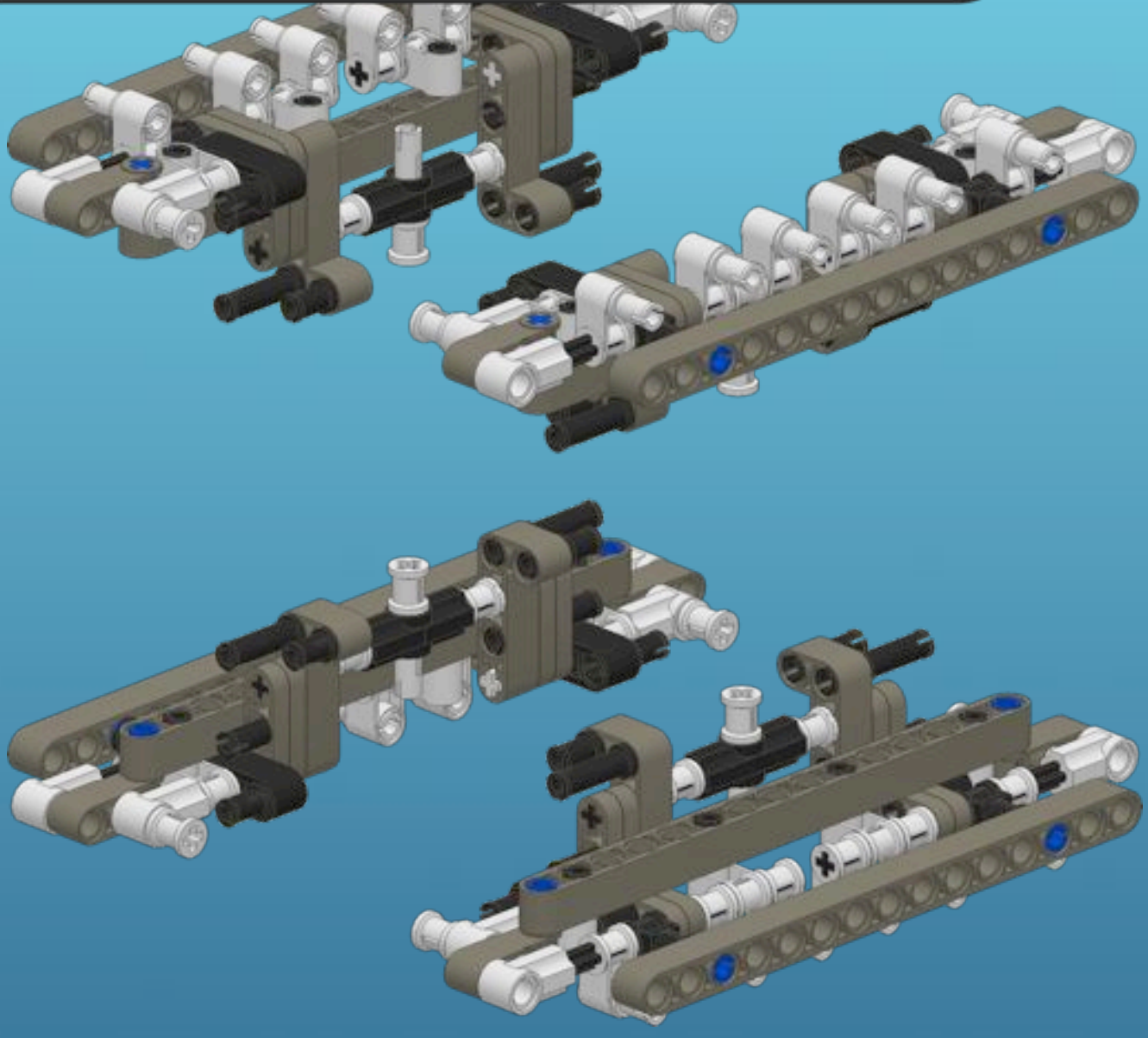




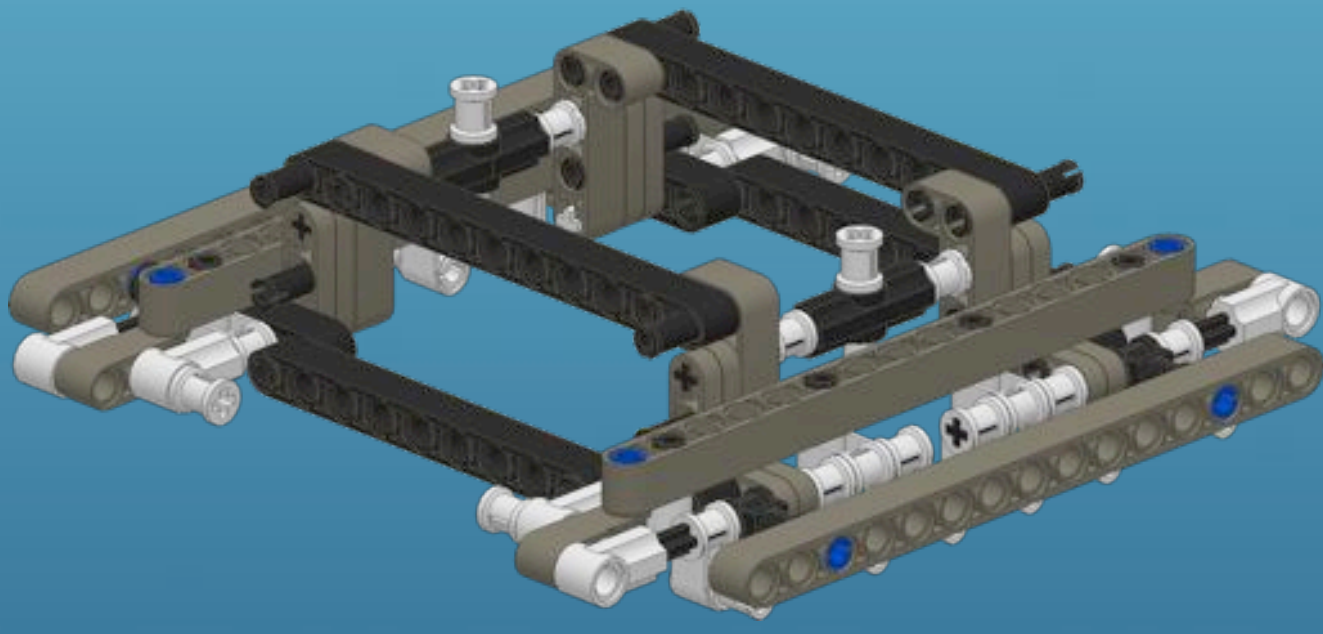
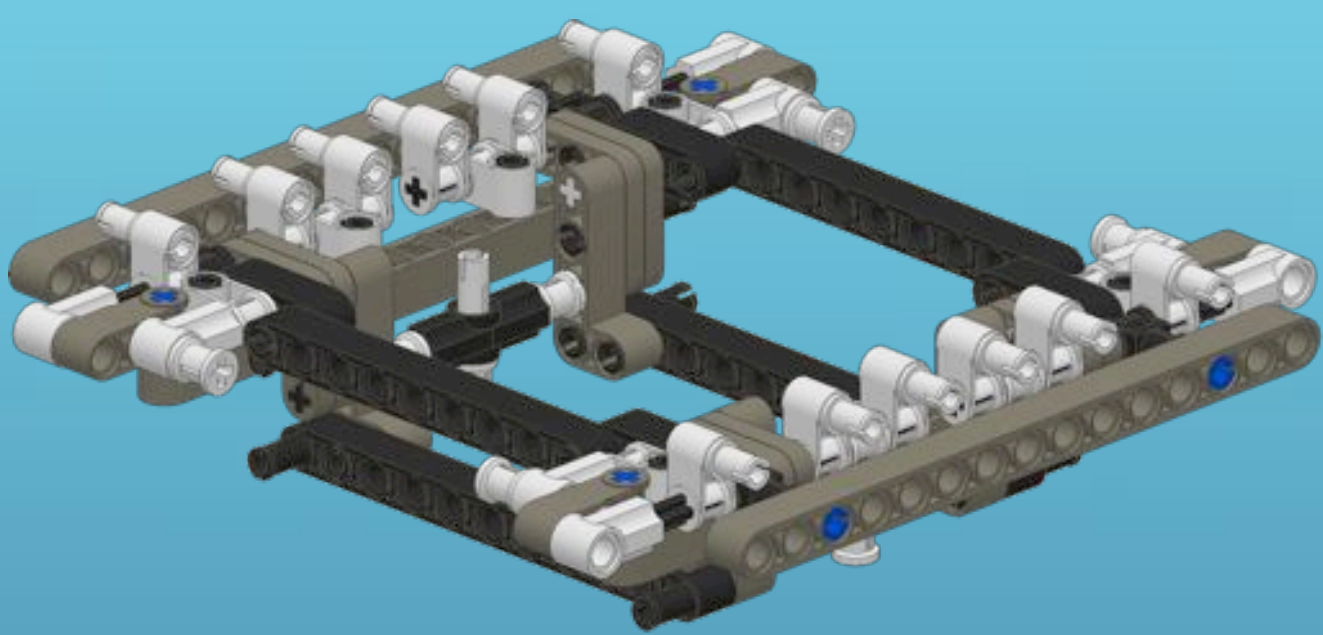
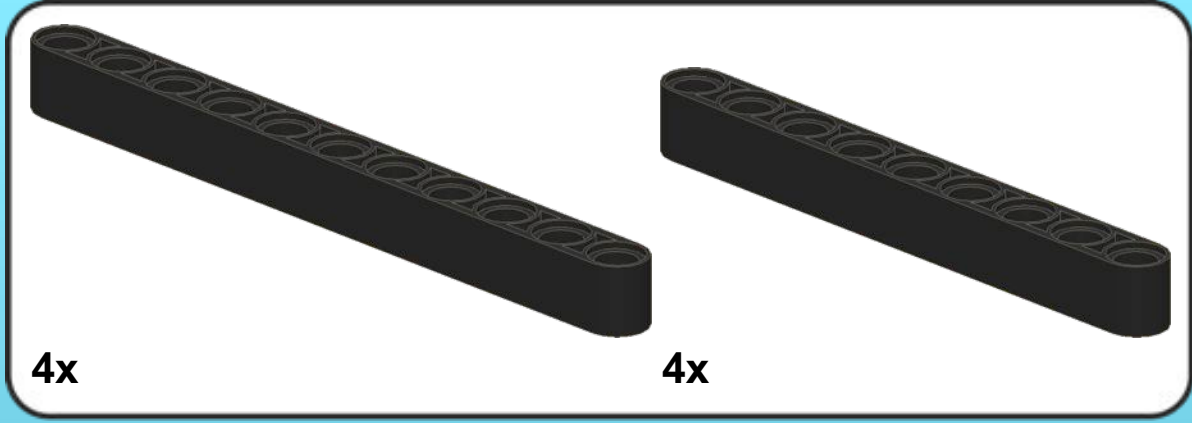
1



4x



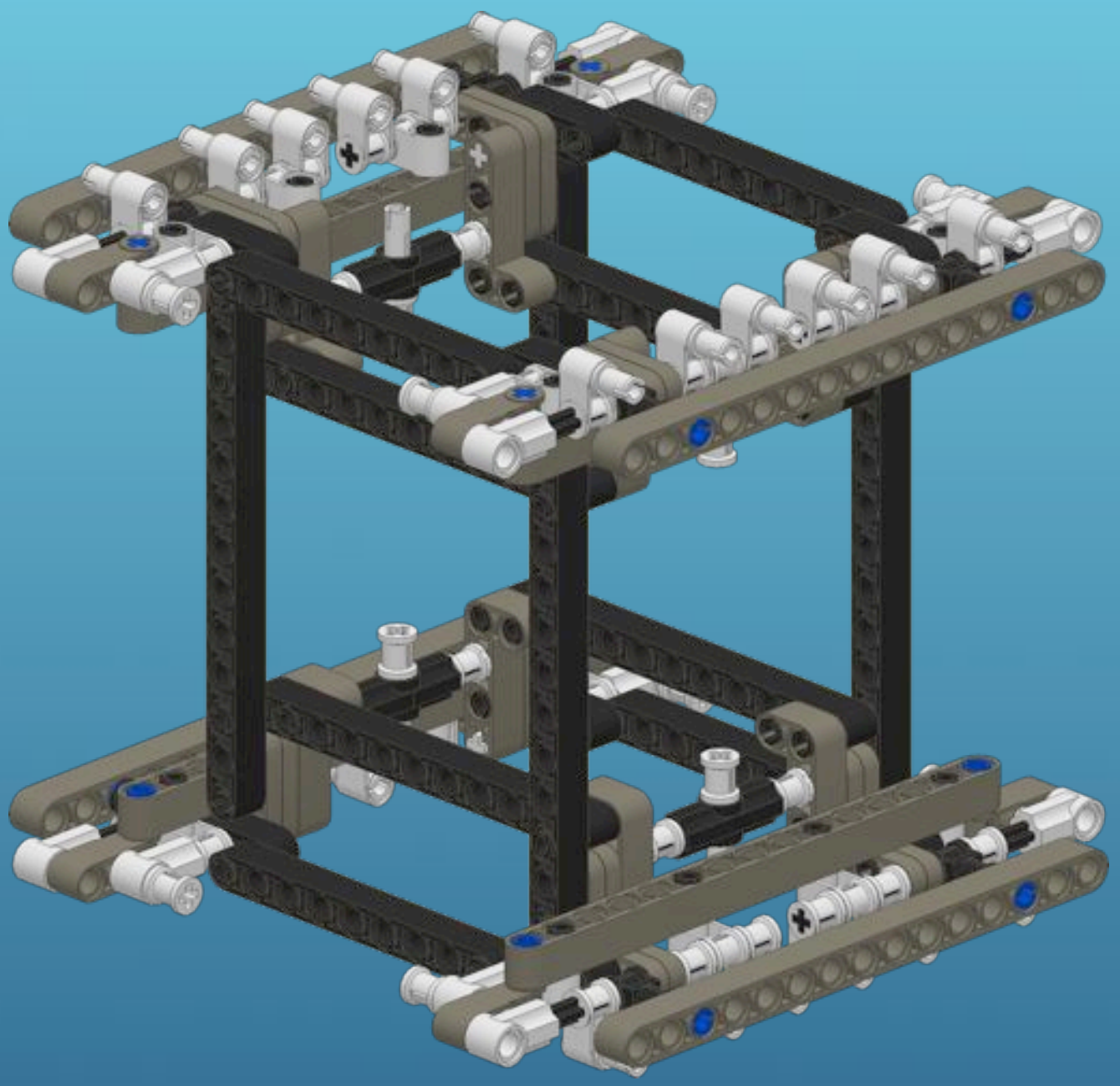
2



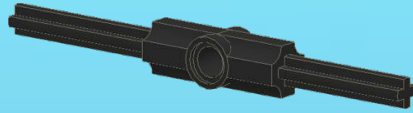
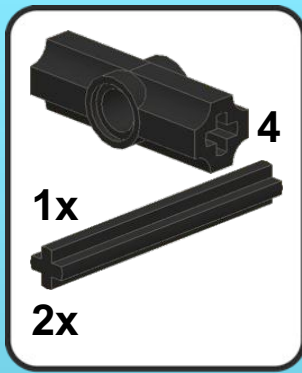
3



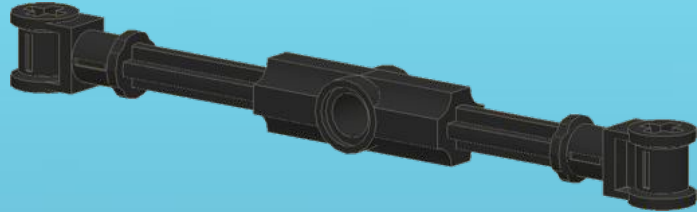
4x



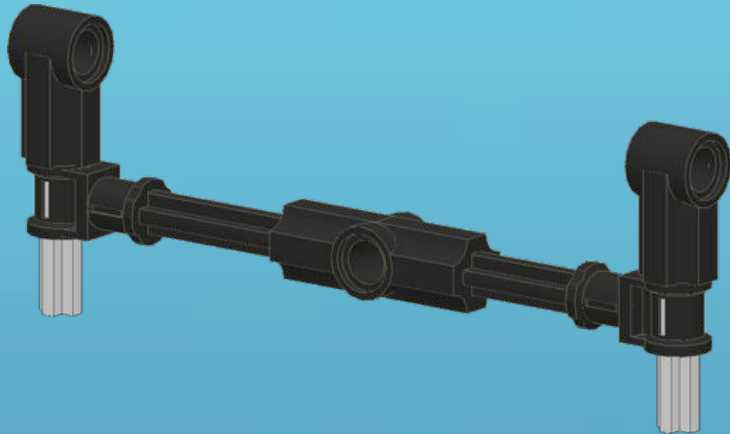
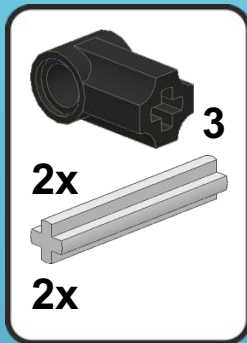
1



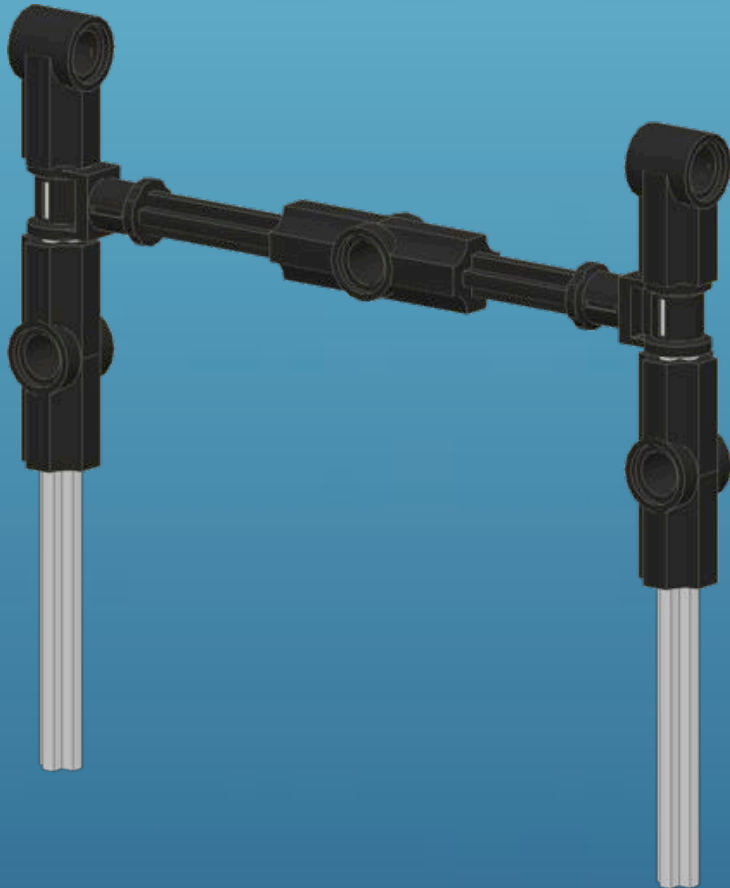
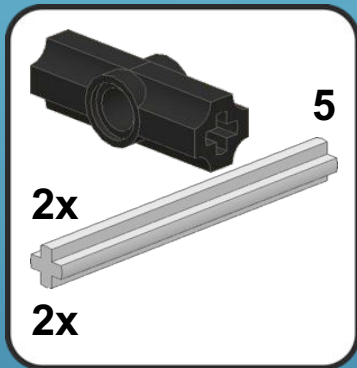
2



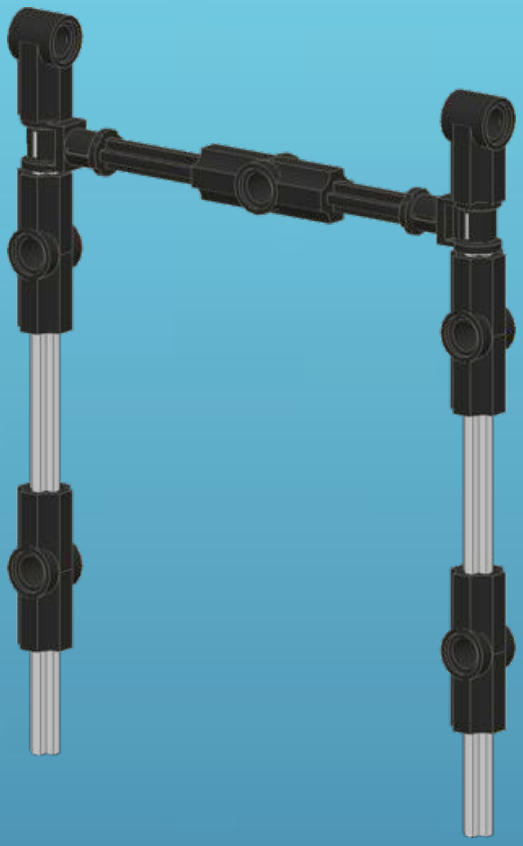
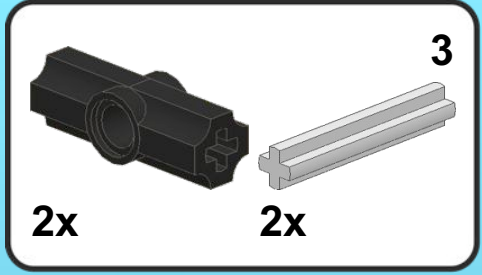
3



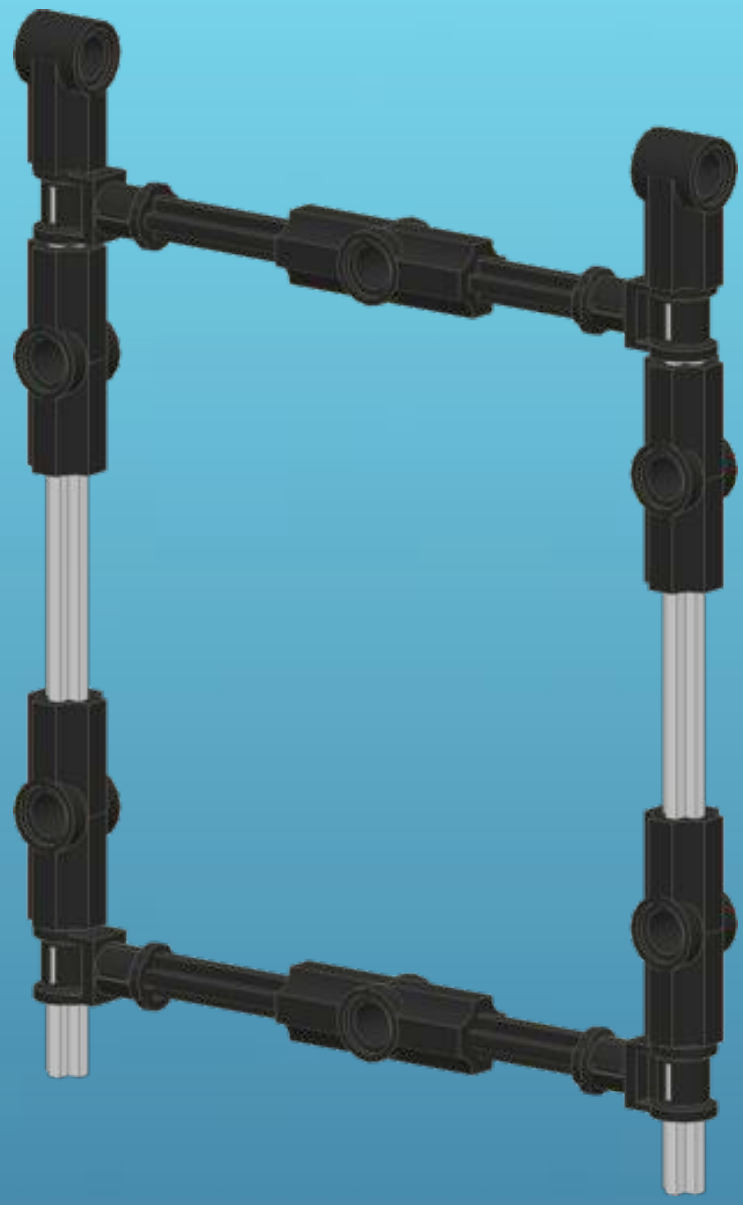
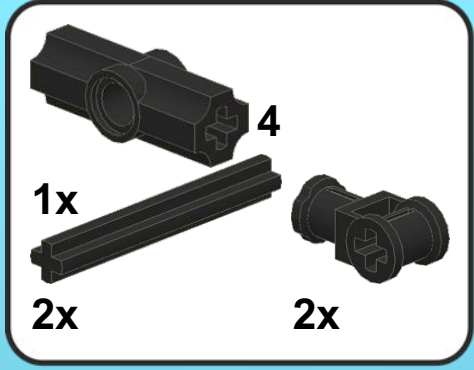
4



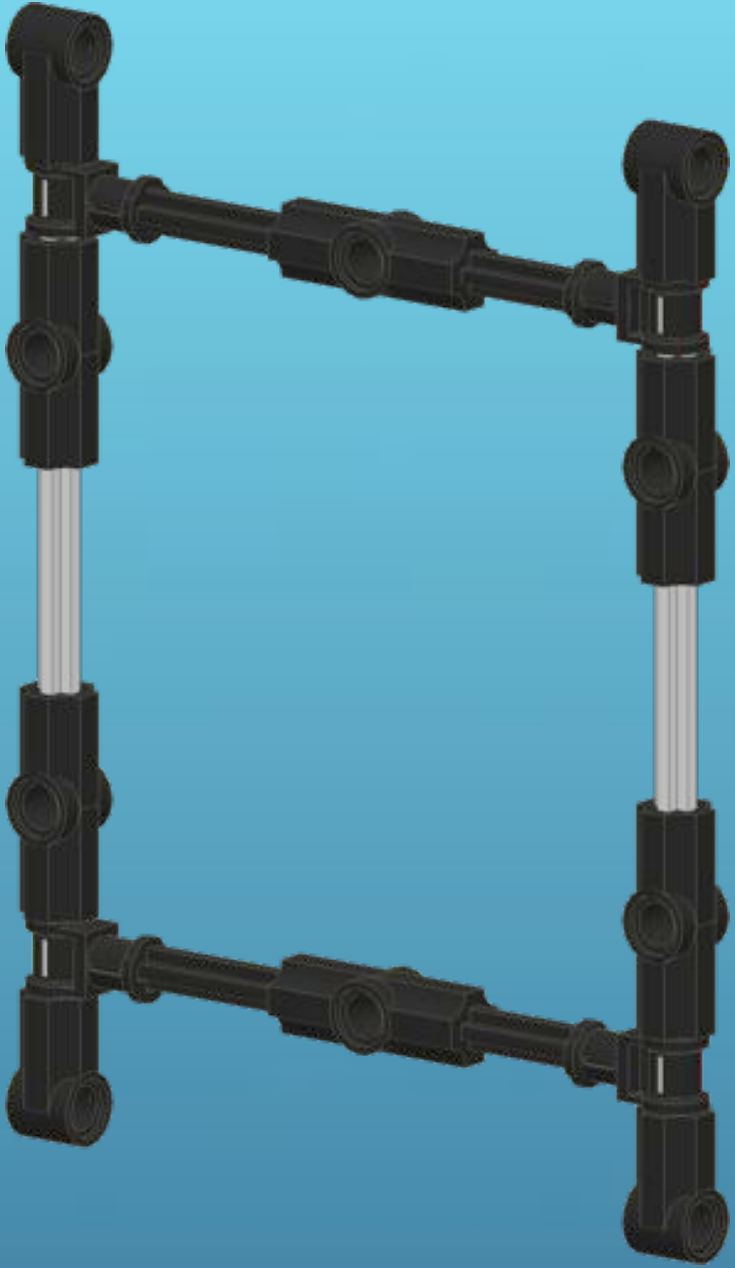
5



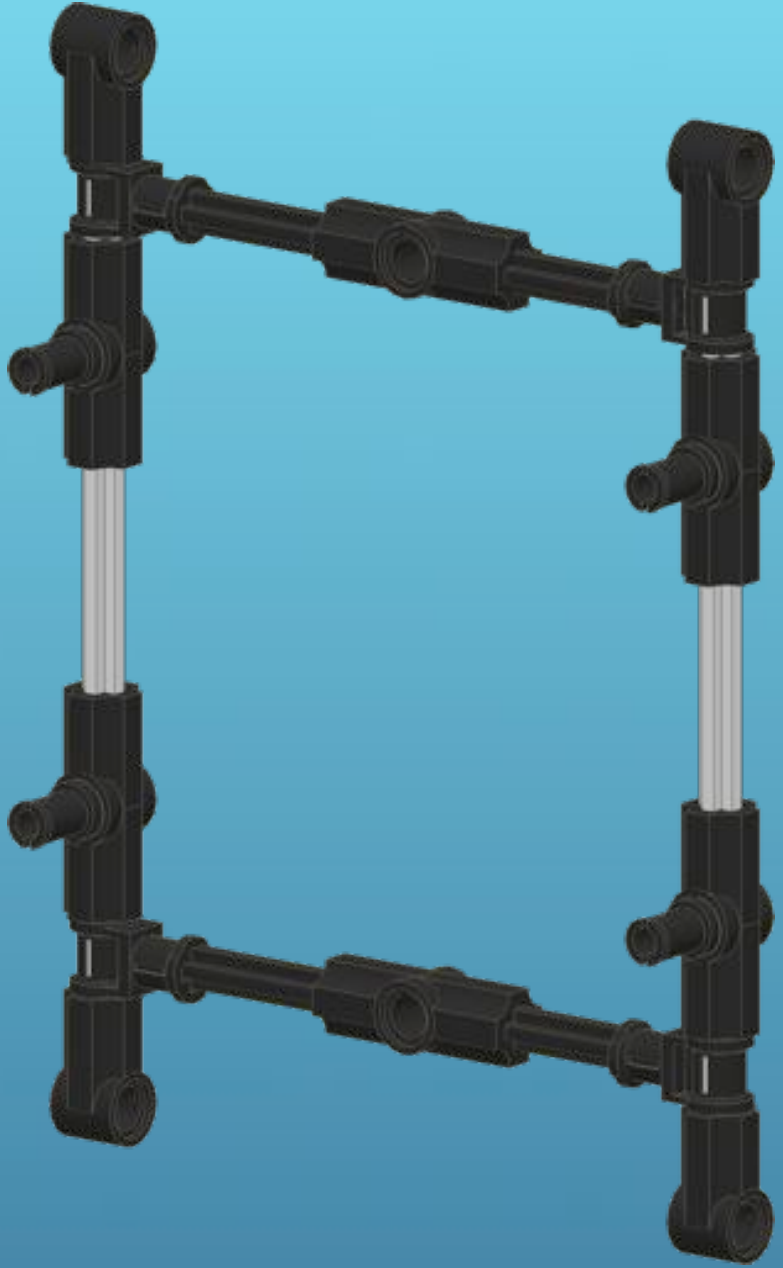
6



7

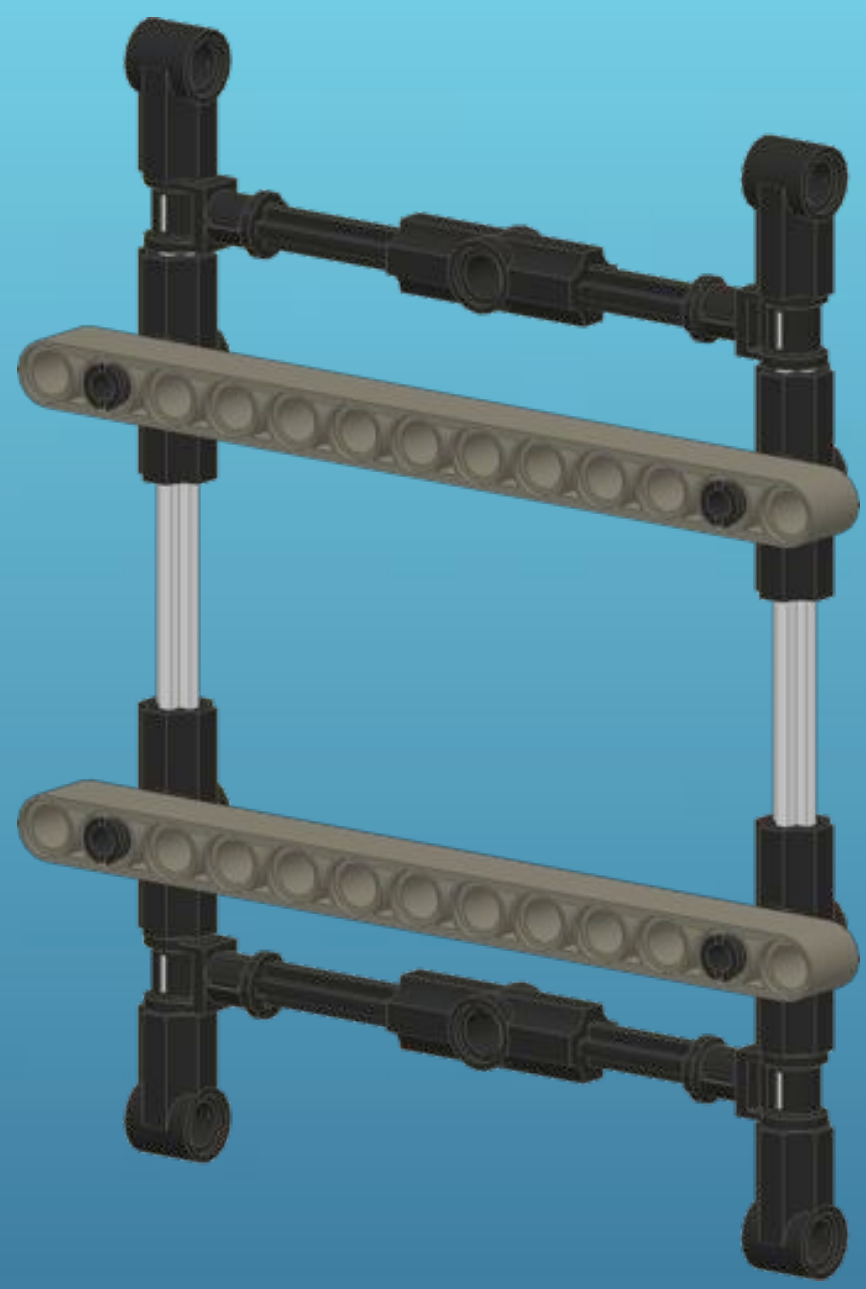
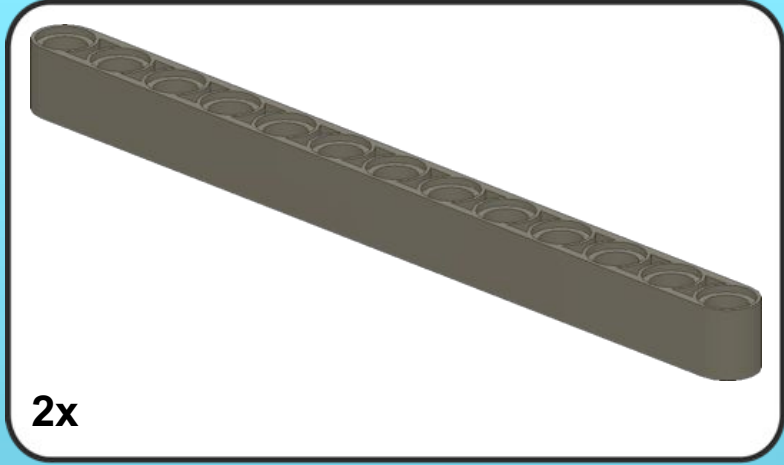


8

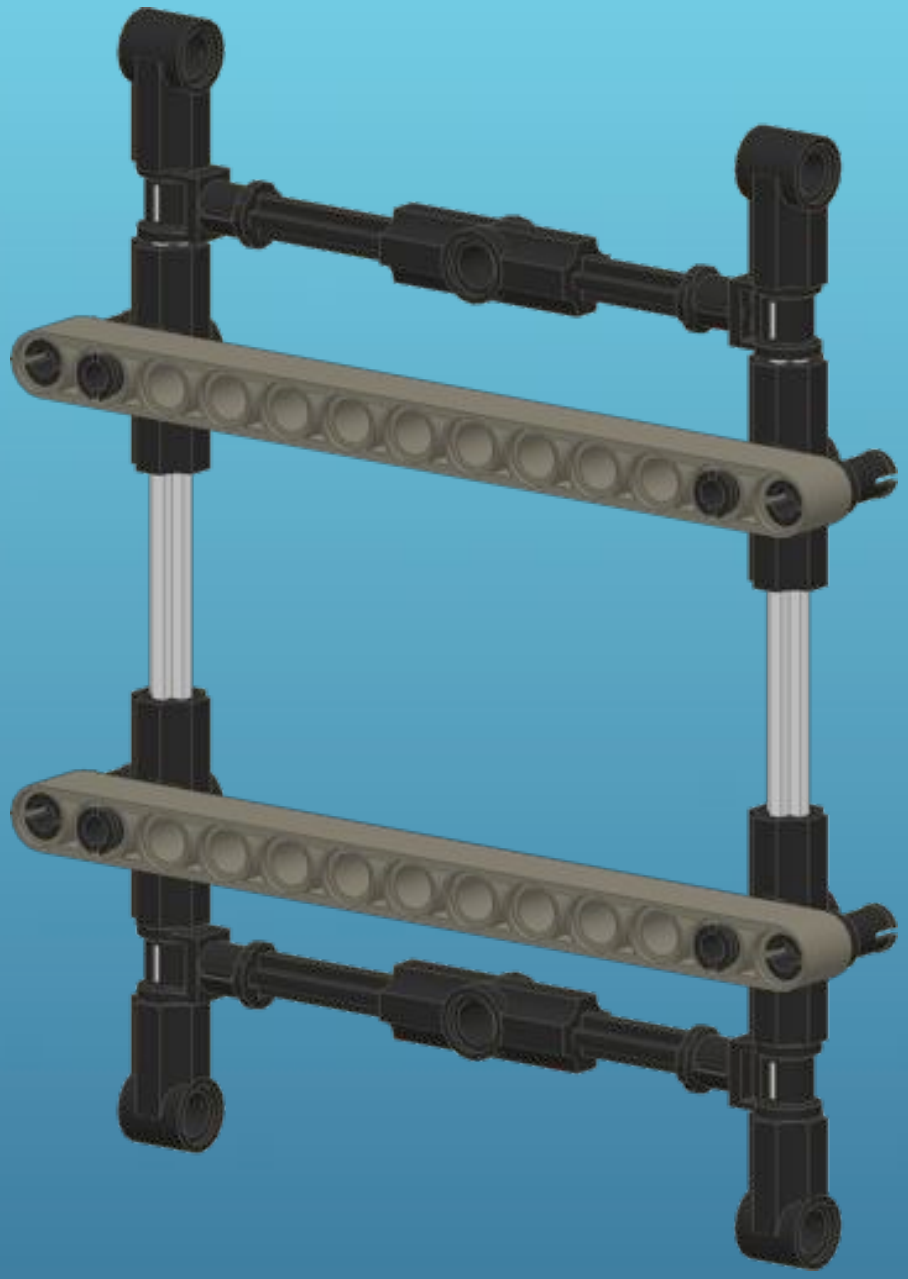


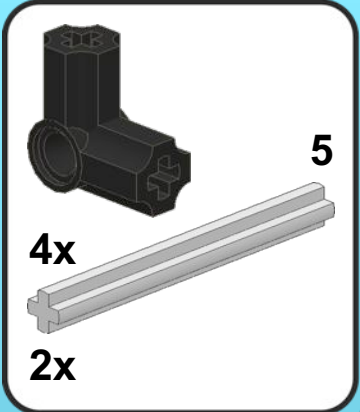


9



10



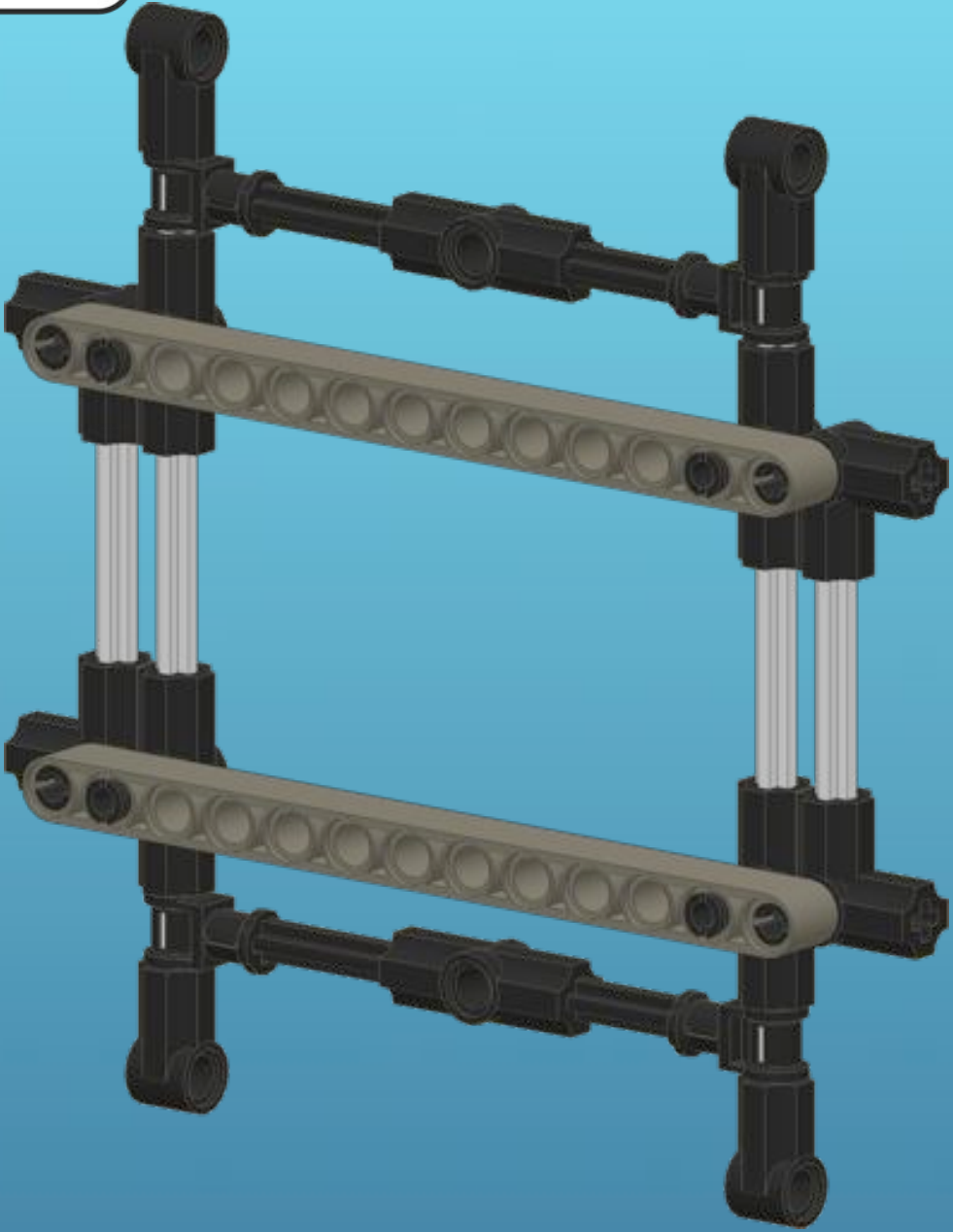


5

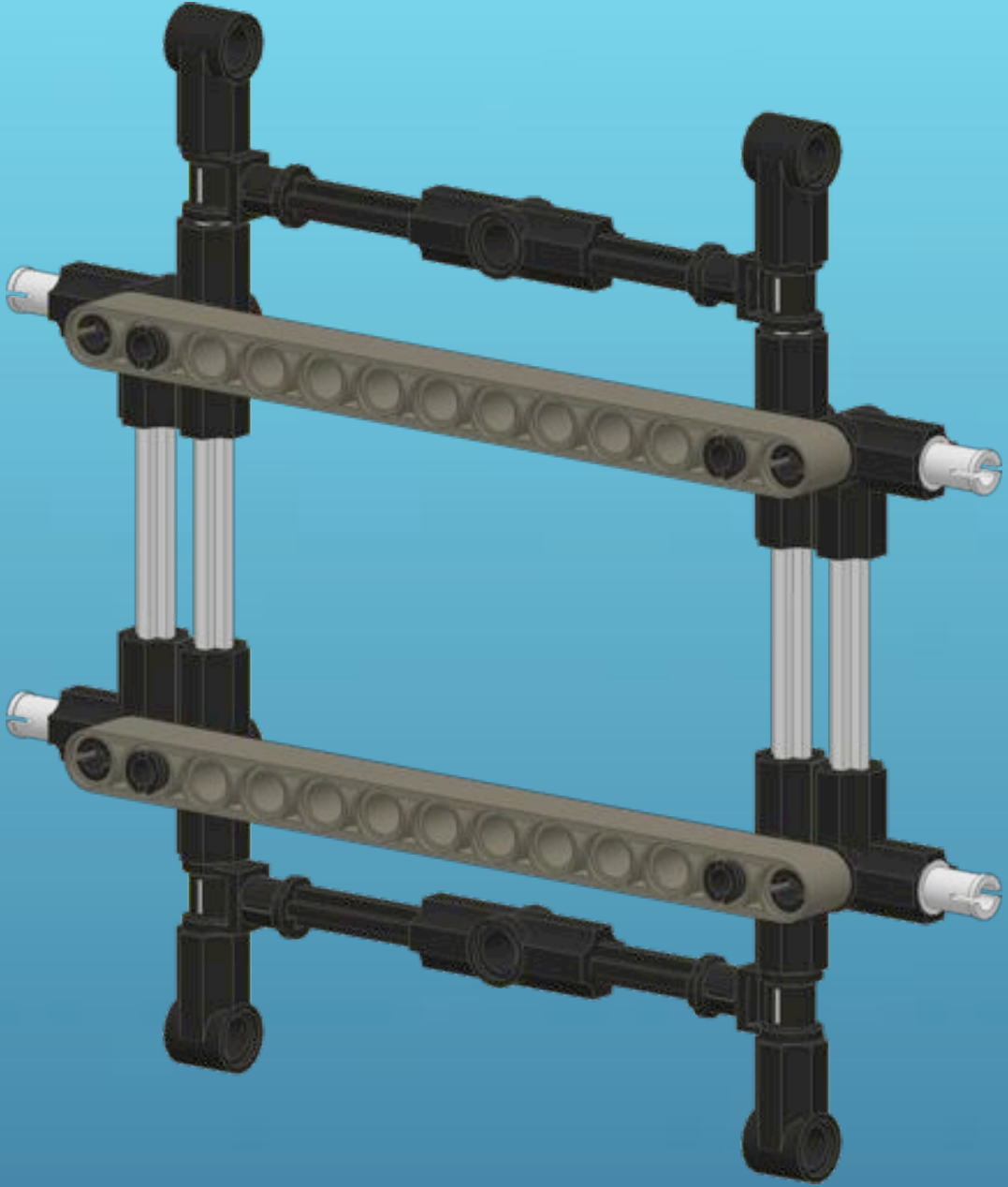
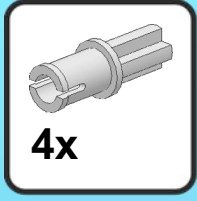
4x

2x

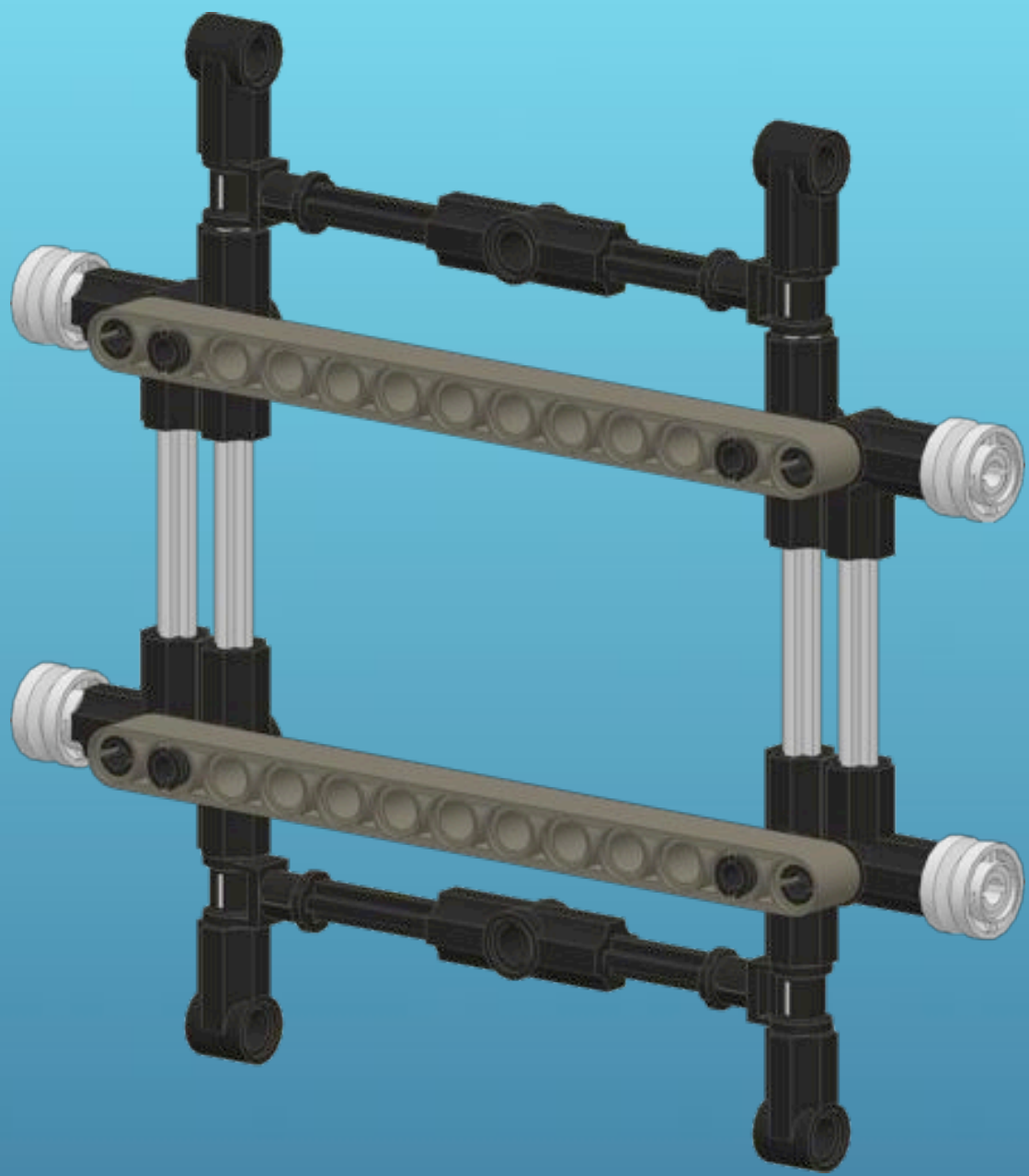
This inset box shows the parts required for step 11. It includes a black L-shaped Technic connector (part 5), four grey Technic axles (part 4x), and two black Technic axles (part 2x).



12



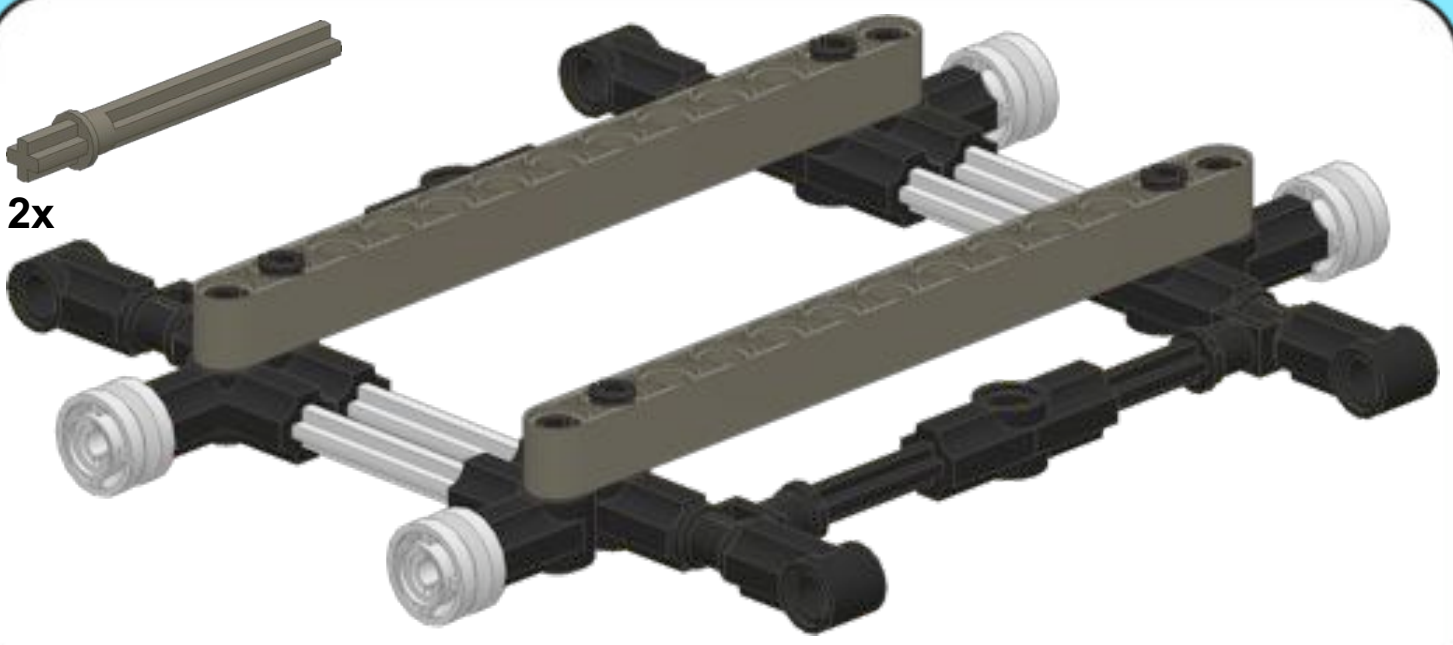
13



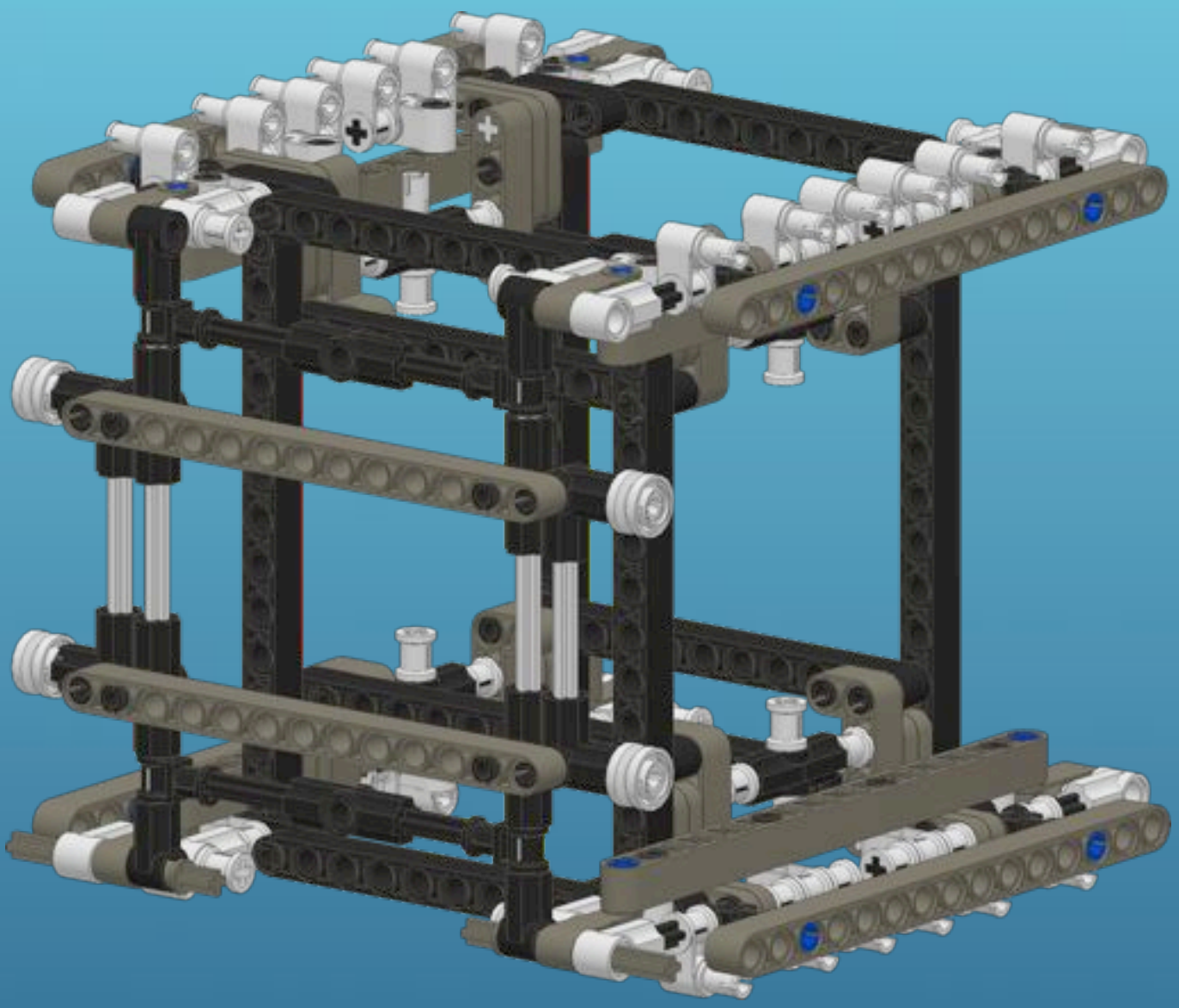
4



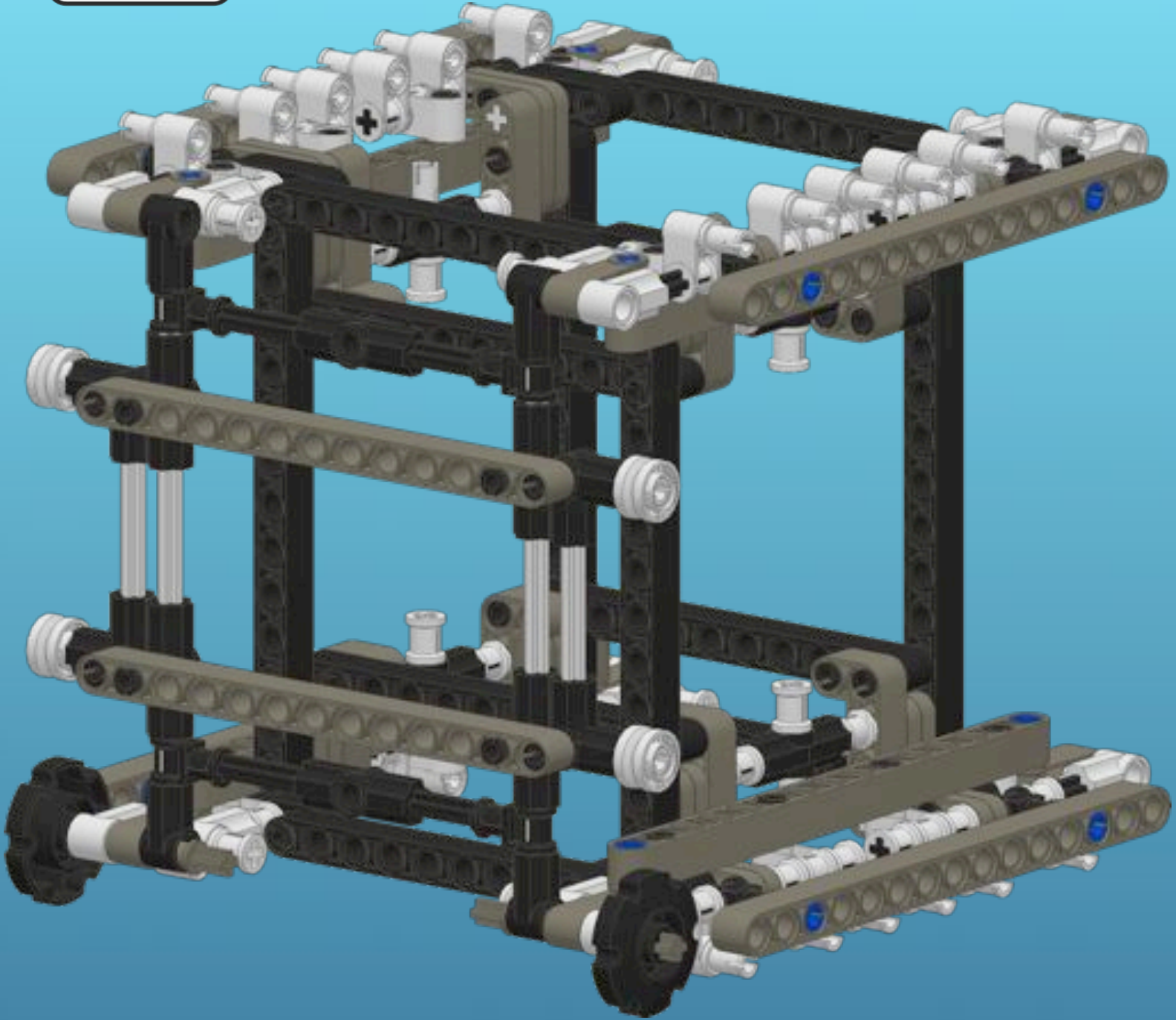
2x



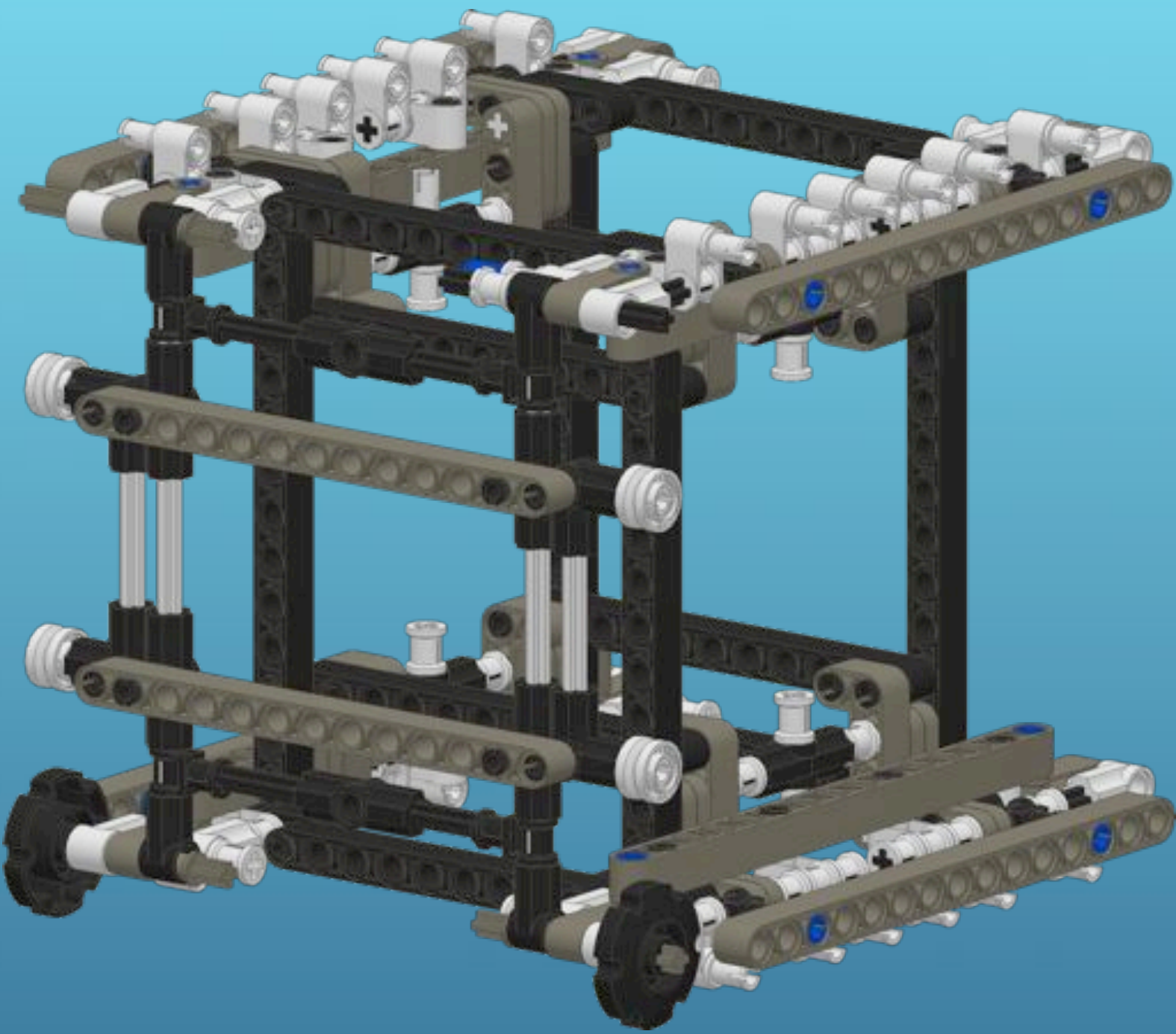
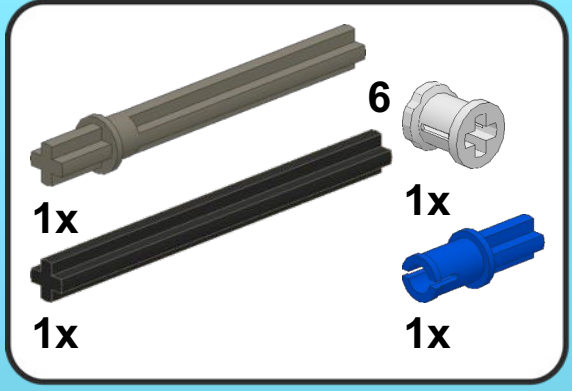
1x



5

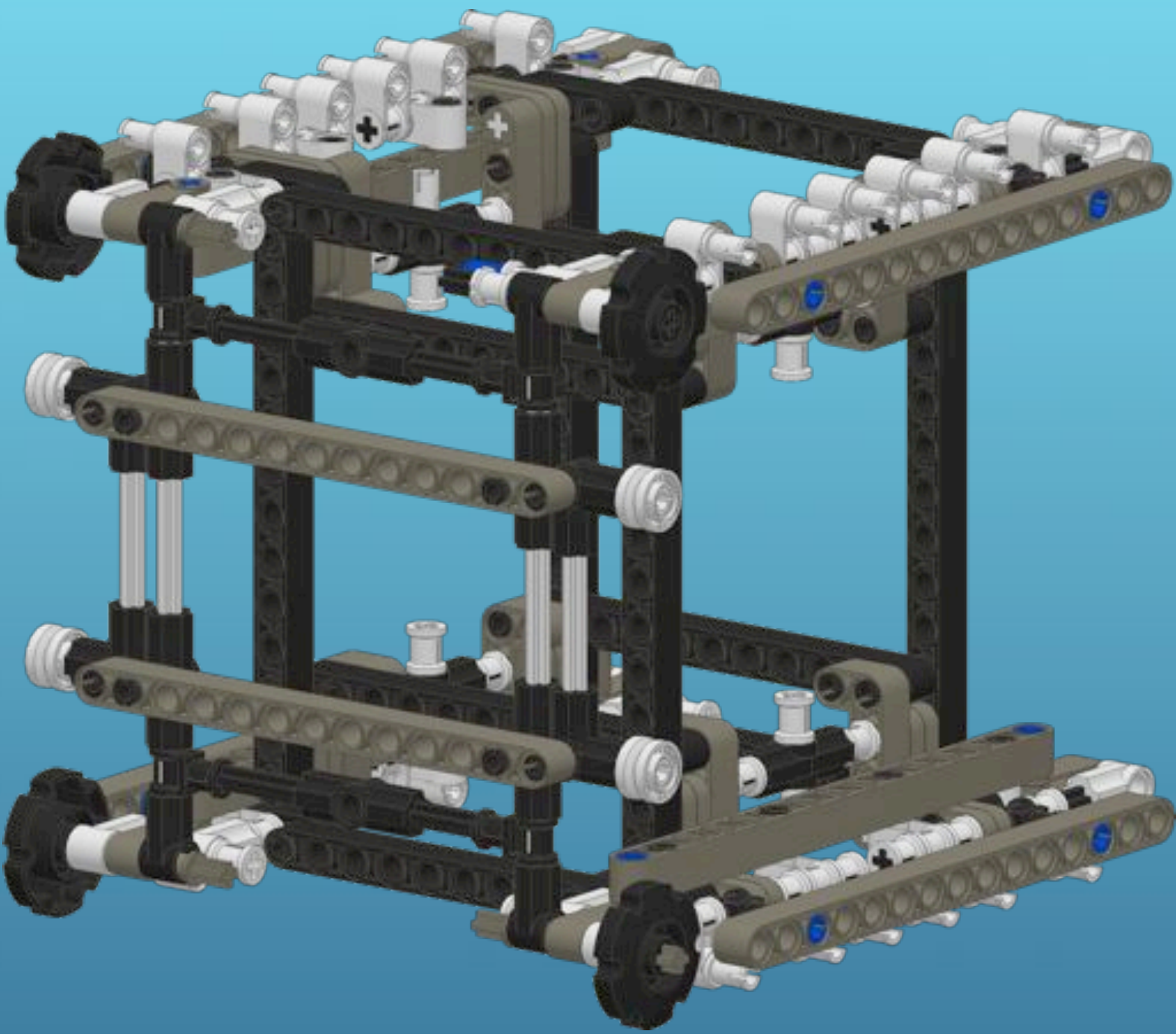


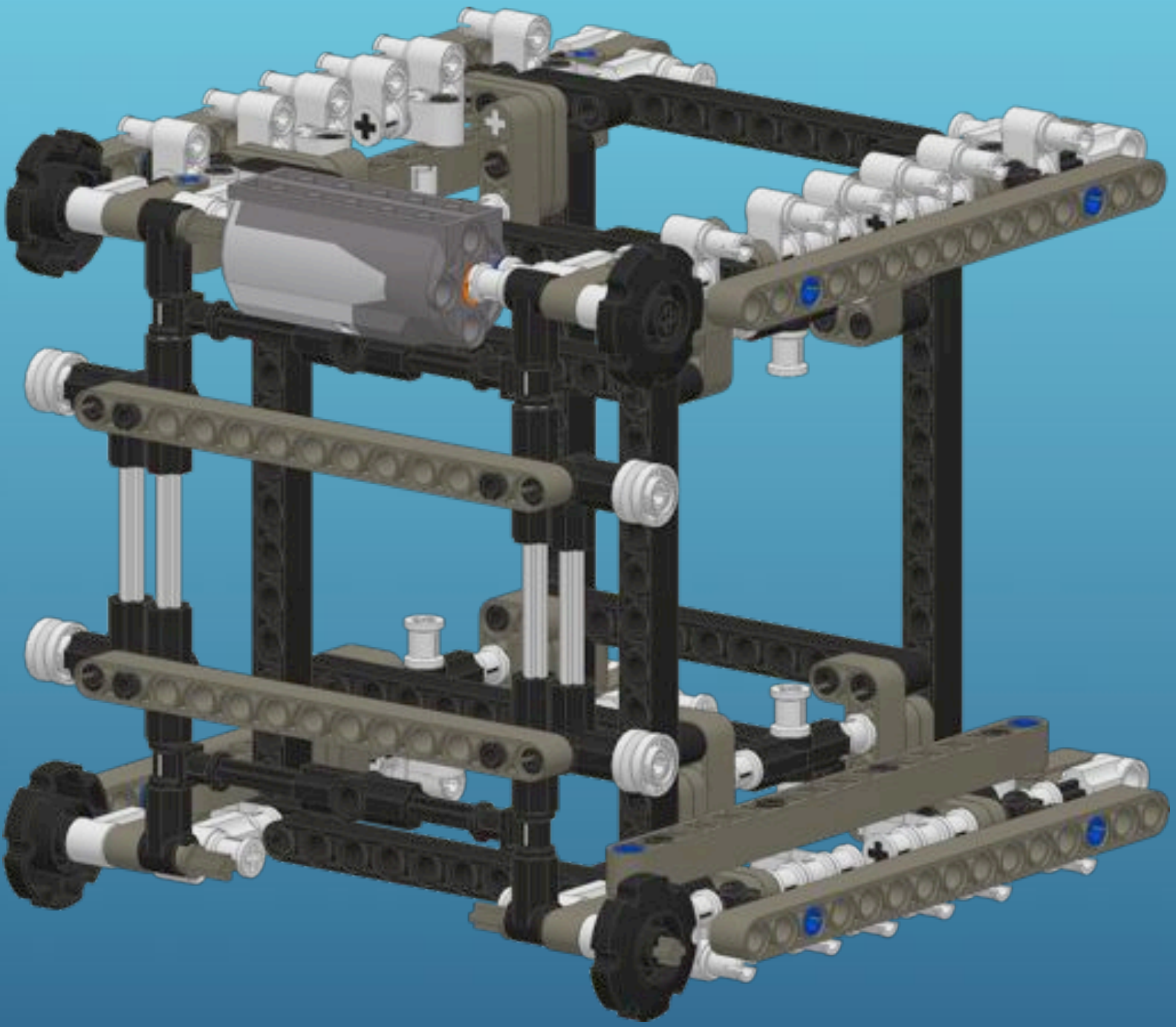
6





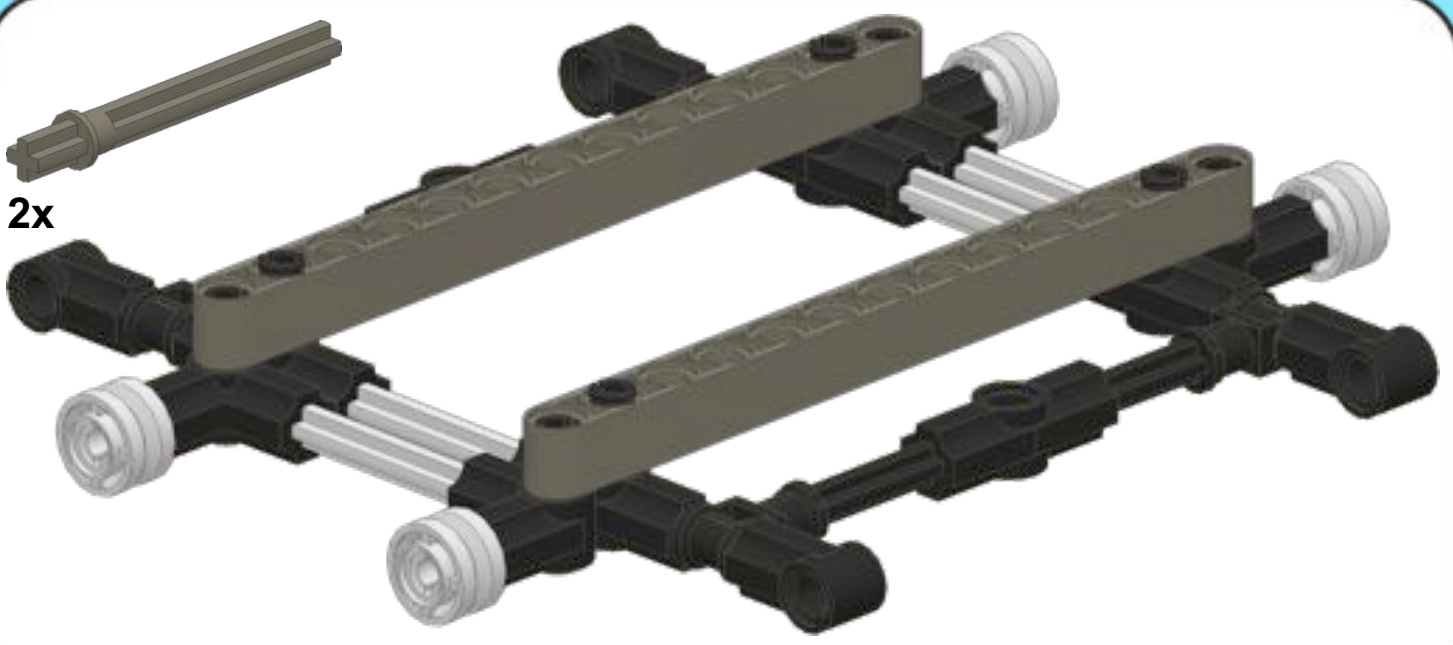
7



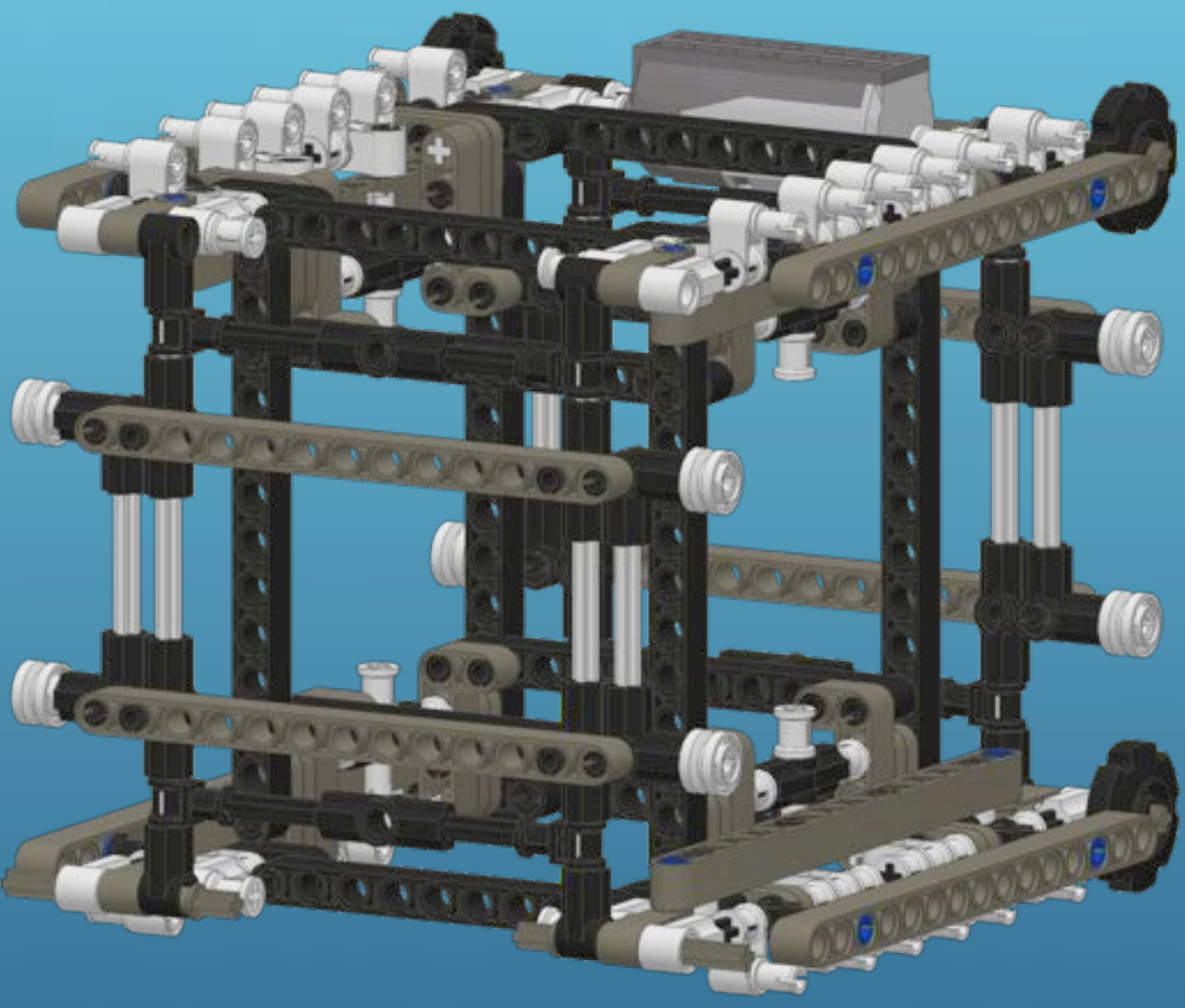


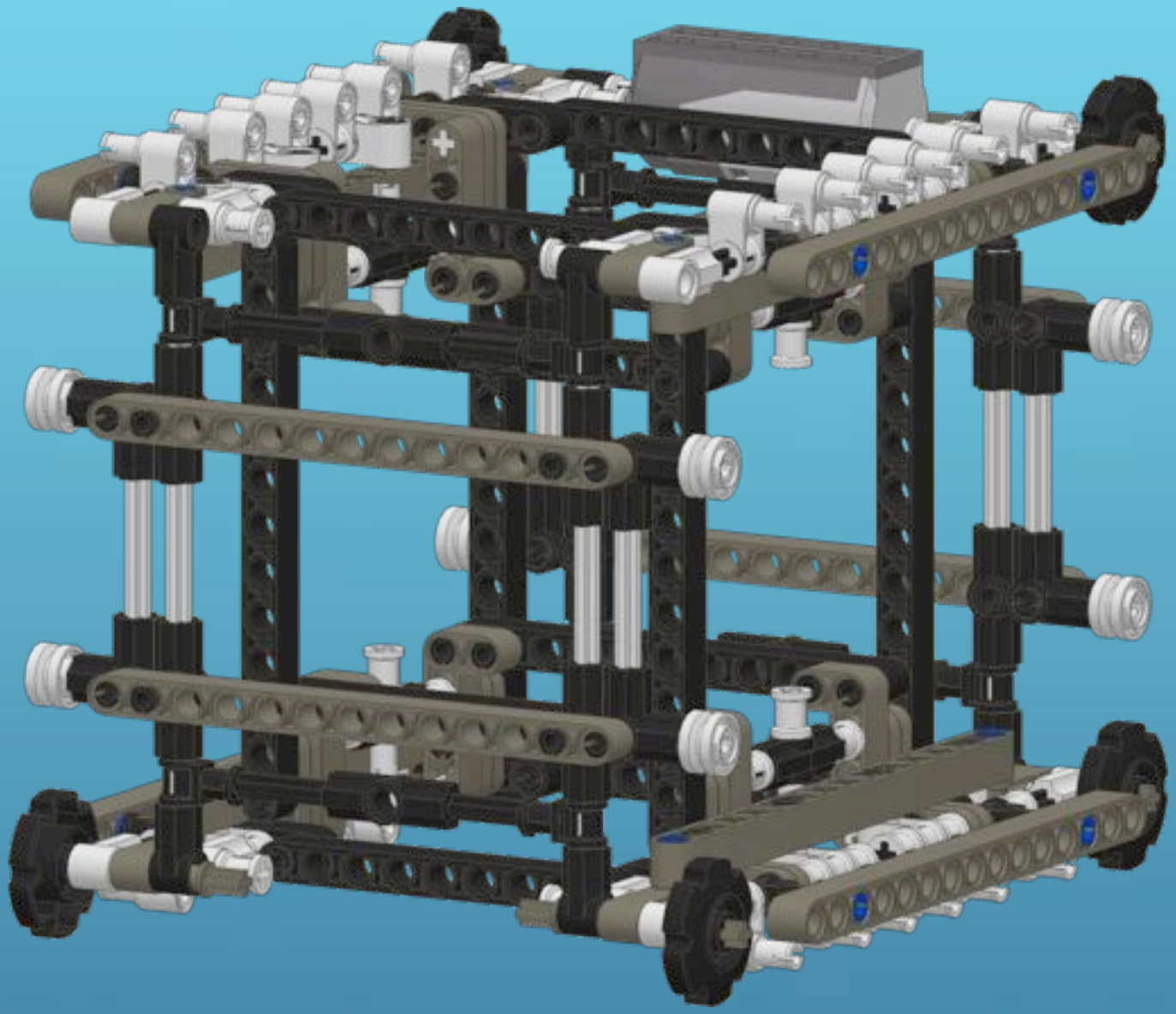


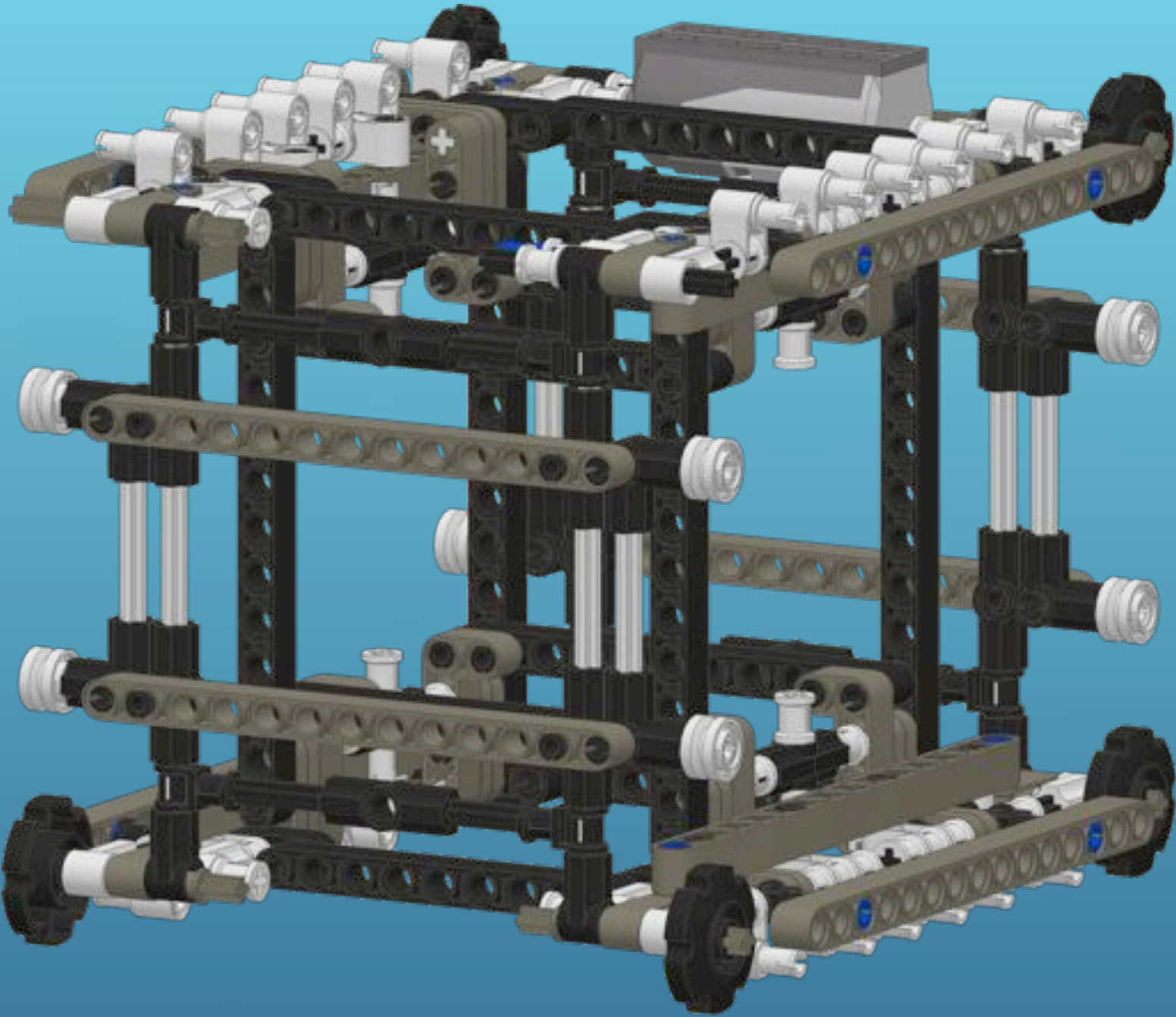
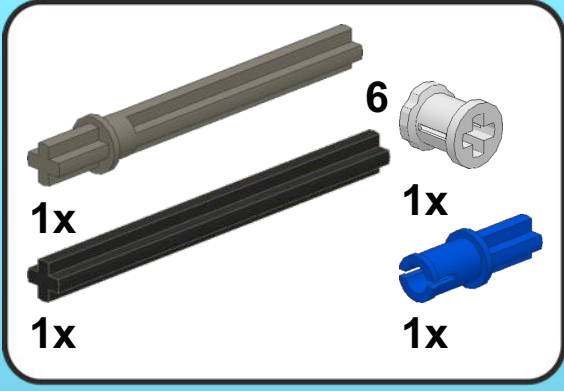
2x

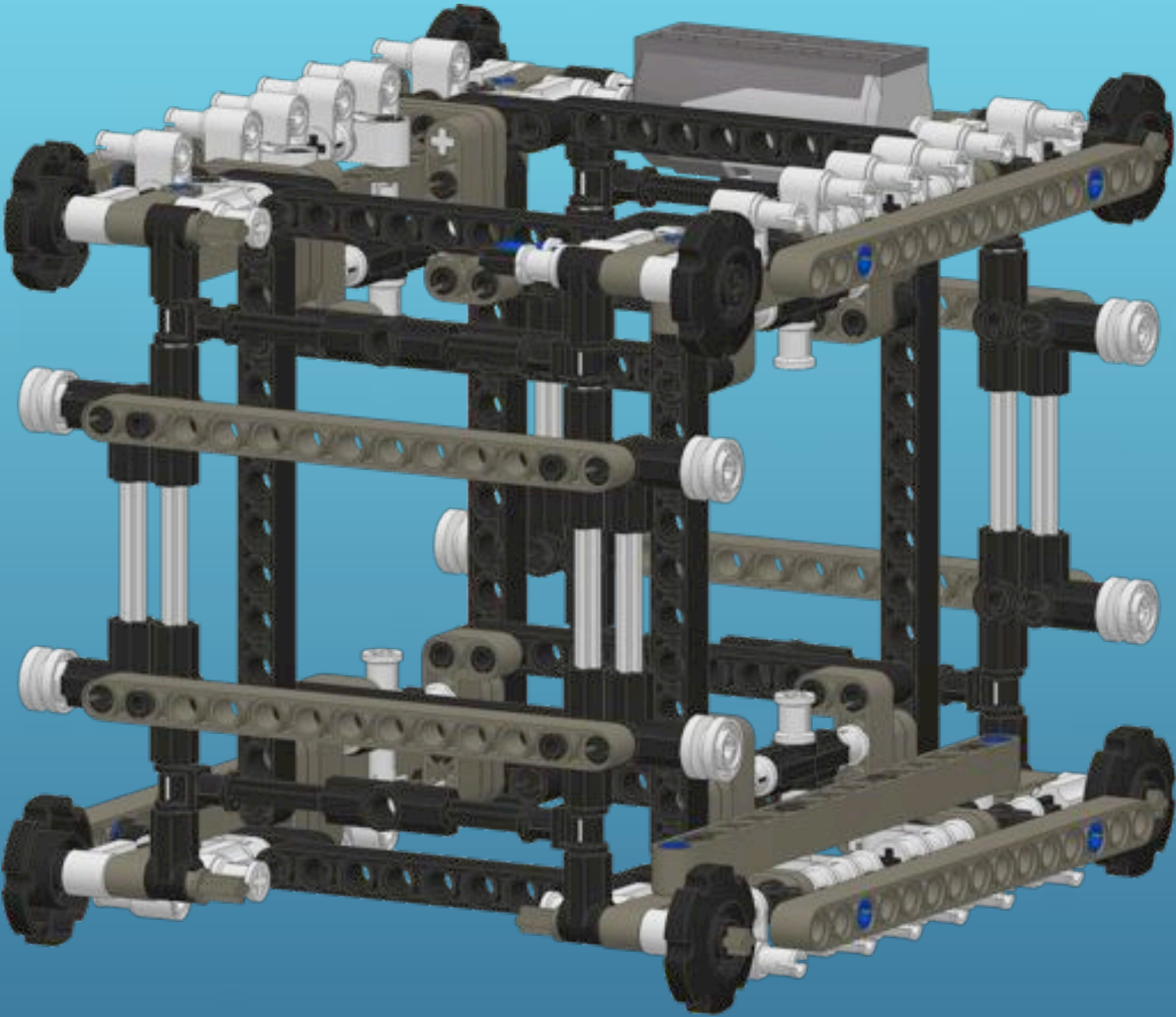


1x









13

